

F. A. BUESCHER.
 KEY PAD FOR WIND MUSICAL INSTRUMENTS.
 APPLICATION FILED FEB. 28, 1921.

1,401,872.

Patented Dec. 27, 1921.

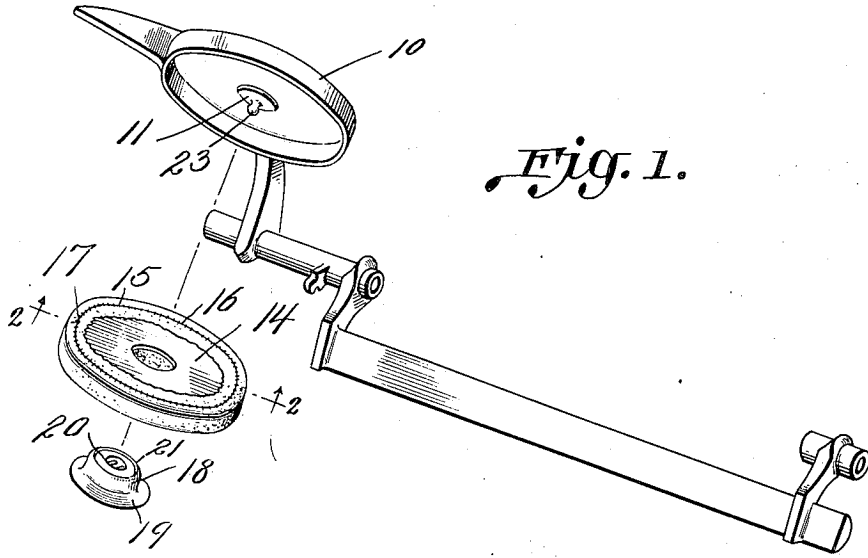


Fig. 1.

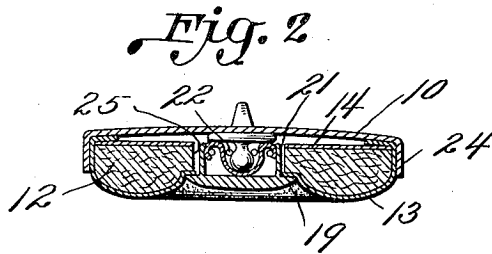


Fig. 2.

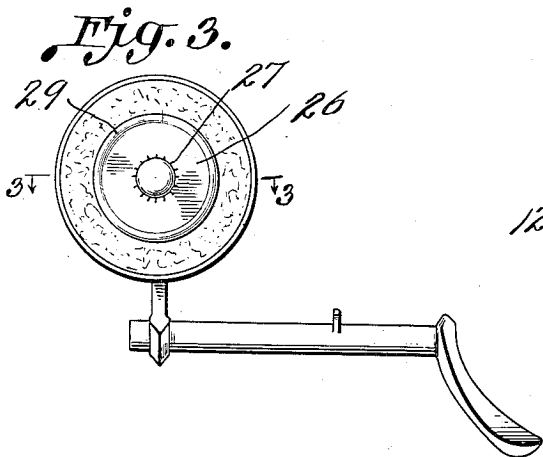


Fig. 3.

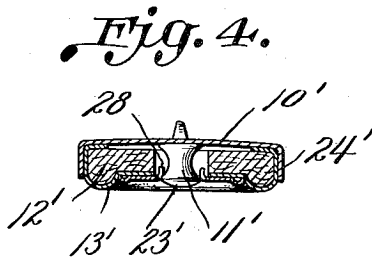


Fig. 4.

Inventor
Ferdinand A. Buescher

By

James L. Norris
 Attorney