

Feb. 25, 1941.

M. SELMER

2,232,929

OCTAVE VENT FOR SAXOPHONES OR SIMILAR WIND INSTRUMENTS

Filed April 16, 1940

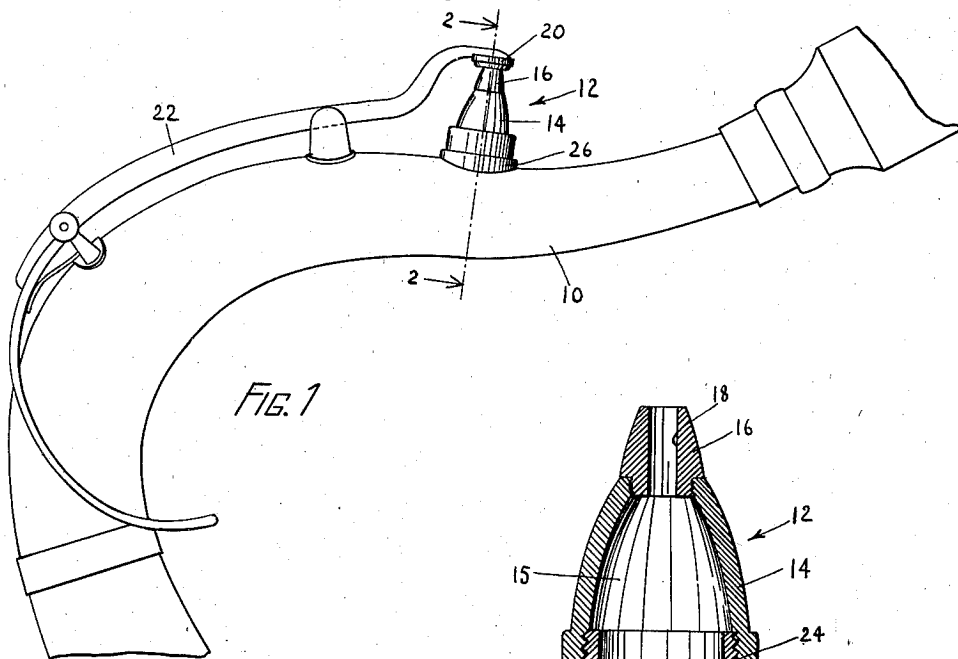


FIG. 1

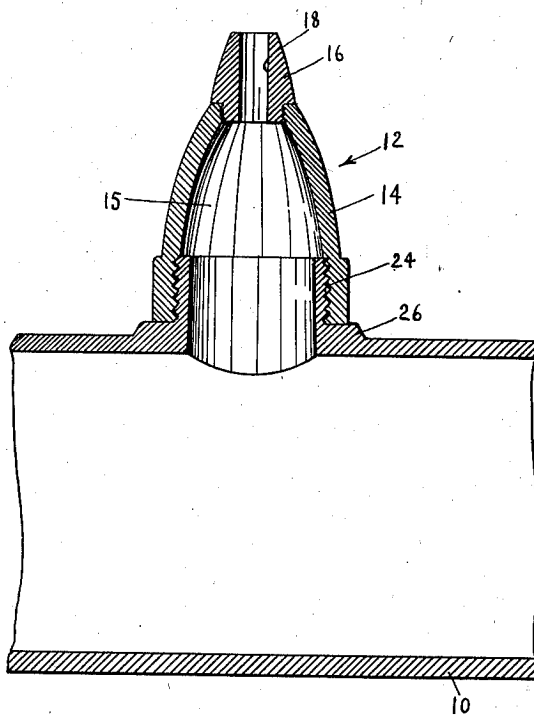


FIG. 3

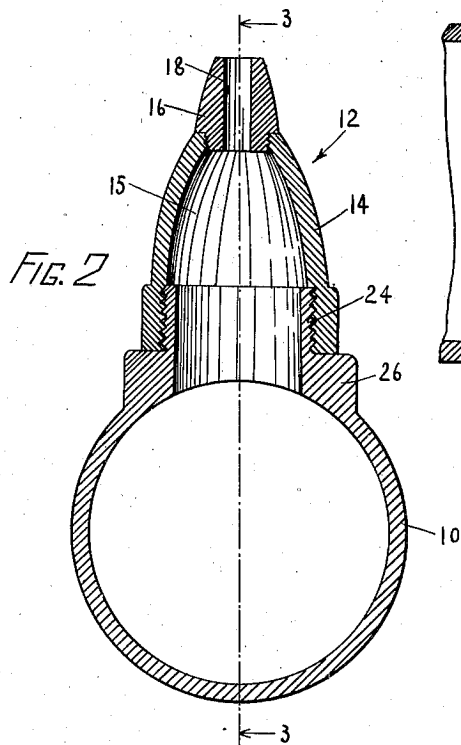


FIG. 2

Inventor

MAURICE SELMER

BY Edwin Leisler

Attorney