

March 21, 1939.

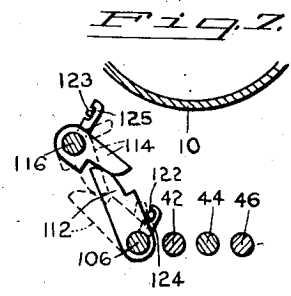
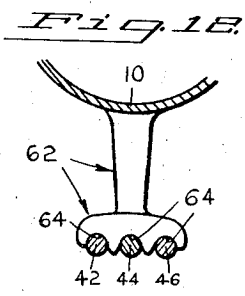
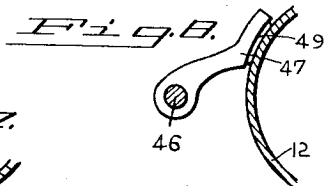
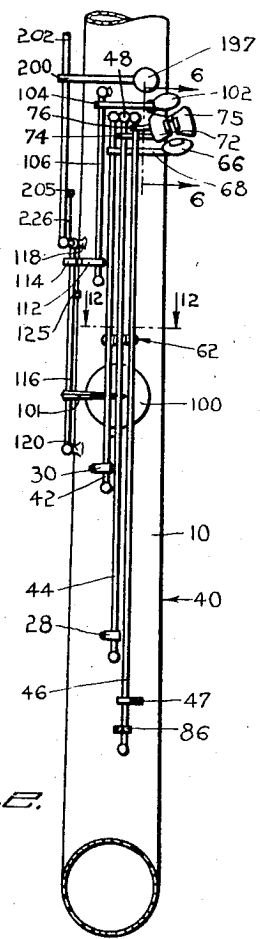
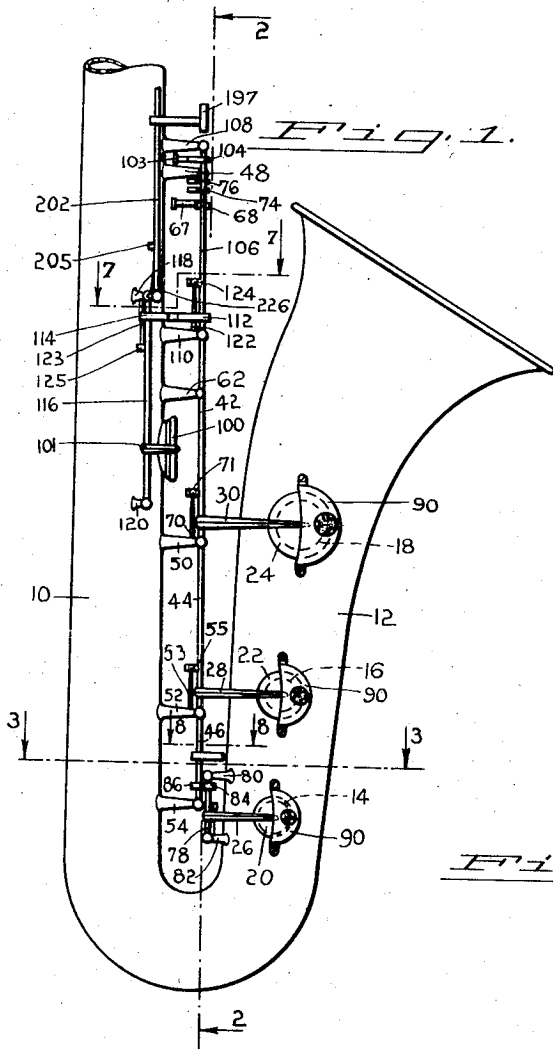
H. SELMER

2,151,337

MUSICAL INSTRUMENT

Original Filed March 27, 1935

4 Sheets-Sheet 1



INVENTOR.  
HENRI SELMER.  
BY *Edwin Leisoku*  
ATTORNEYS.