

March 21, 1939.

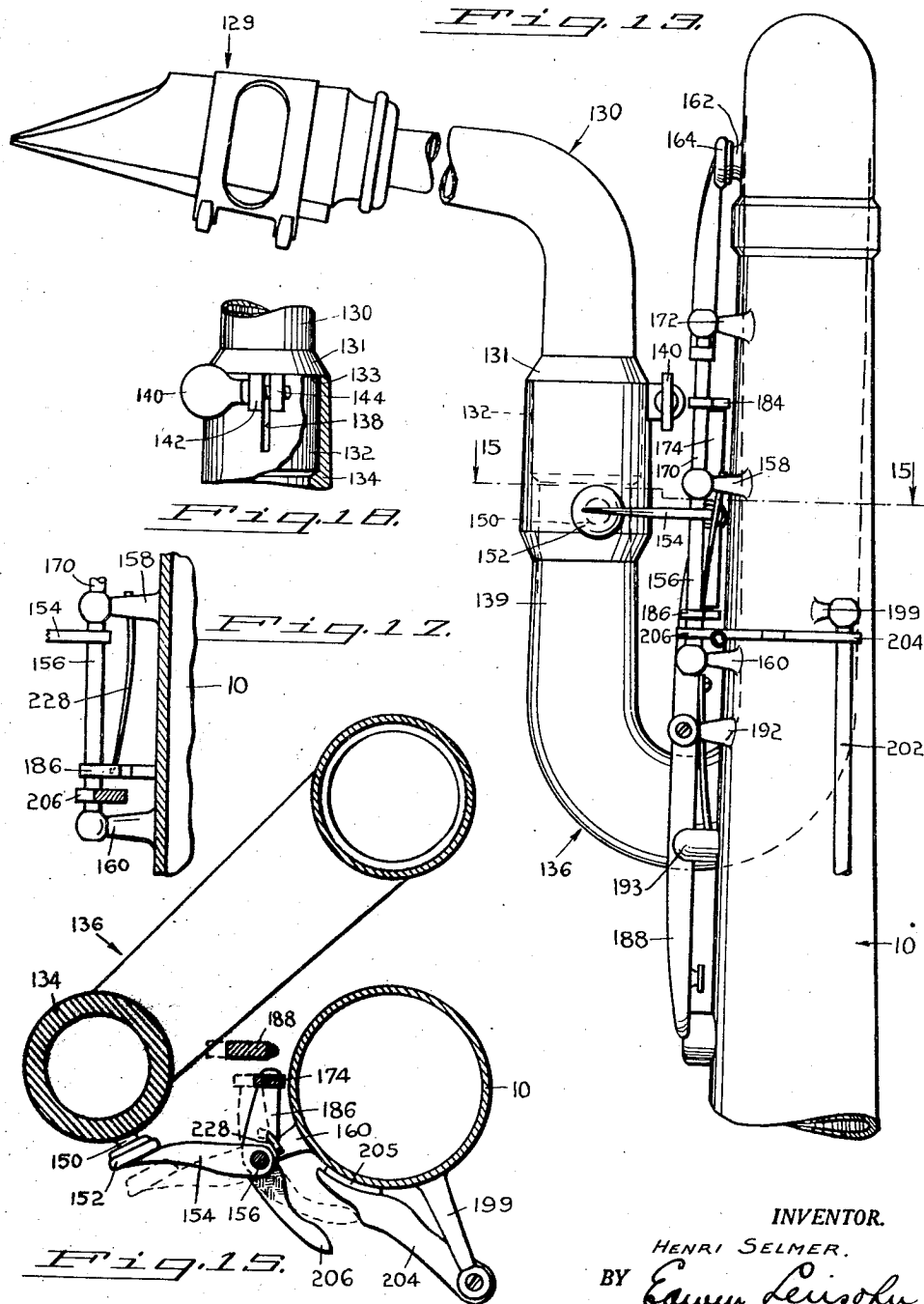
H. SELMER

2,151,337

MUSICAL INSTRUMENT

Original Filed March 27, 1935

4 Sheets-Sheet 3



INVENTOR.

HENRI SELMER.

BY *Edmund Leisohn*
ATTORNEYS.