

Aug. 17, 1937.

H. SELMER

2,090,011

MUSICAL INSTRUMENT

Filed March 27, 1935

4 Sheets-Sheet 1

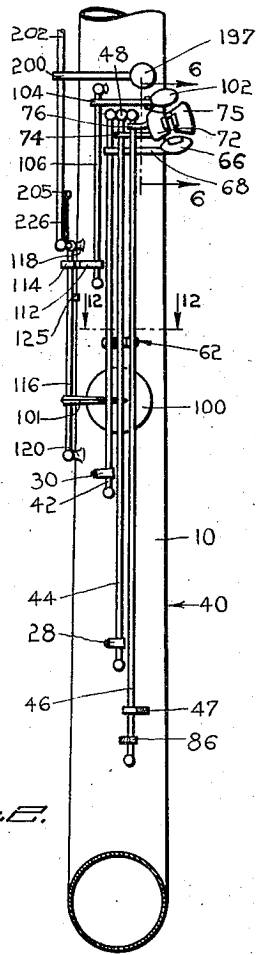
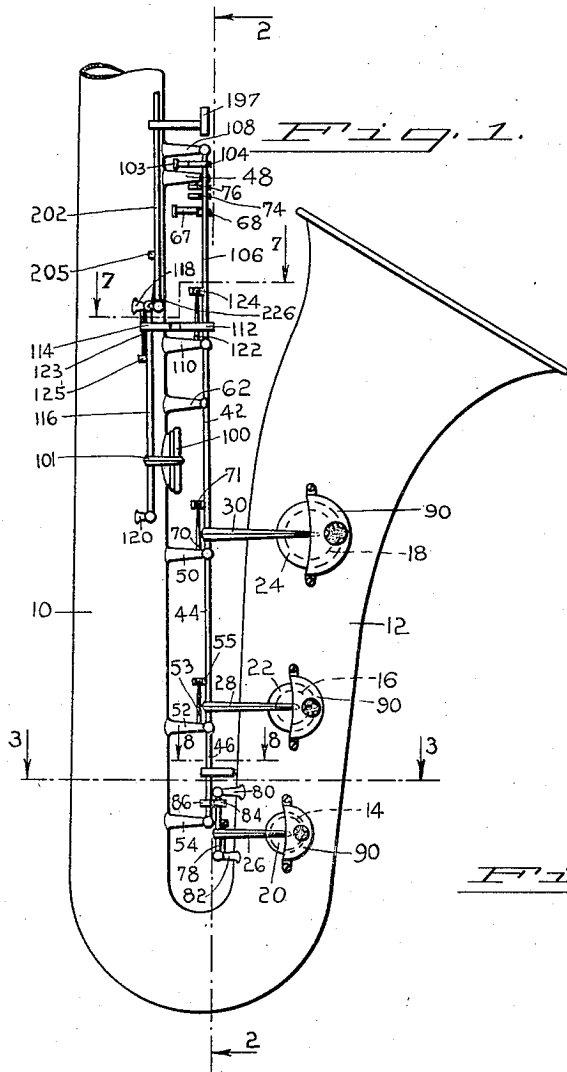


Fig. 1B.

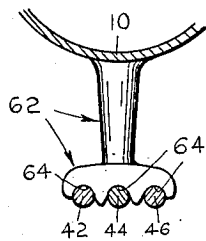
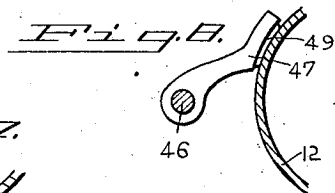
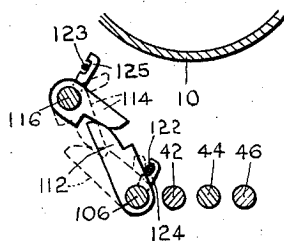


Fig. 2.



INVENTOR
HENRI SELMER.
BY *Erwin Perisoke*
ATTORNEY