

Aug. 17, 1937.

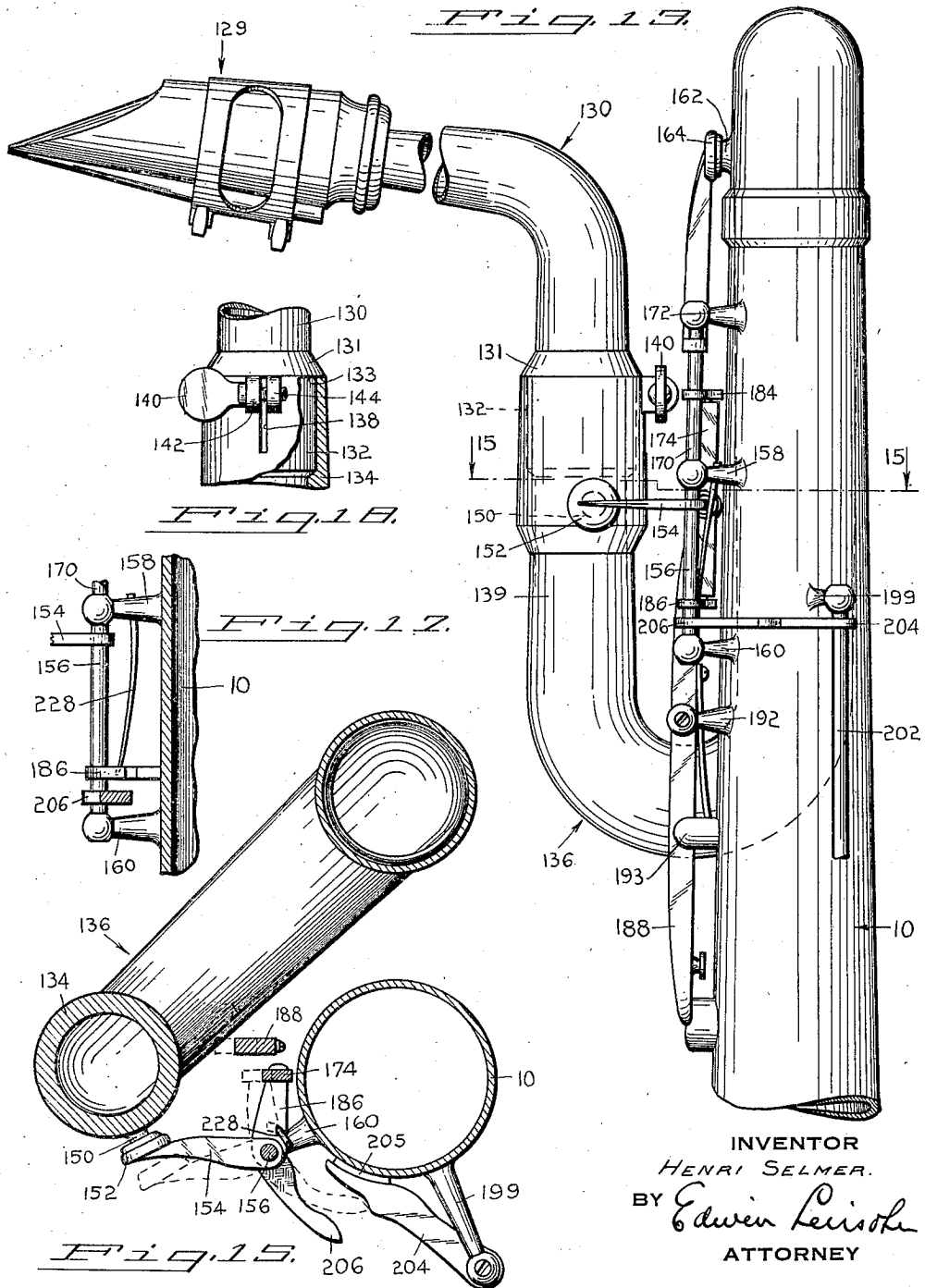
H. SELMER

2,090,011

MUSICAL INSTRUMENT

Filed March 27, 1935

4 Sheets-Sheet 3



INVENTOR  
HENRI SELMER.  
BY *Edwin Leisohk*  
ATTORNEY