

Aug. 17, 1937.

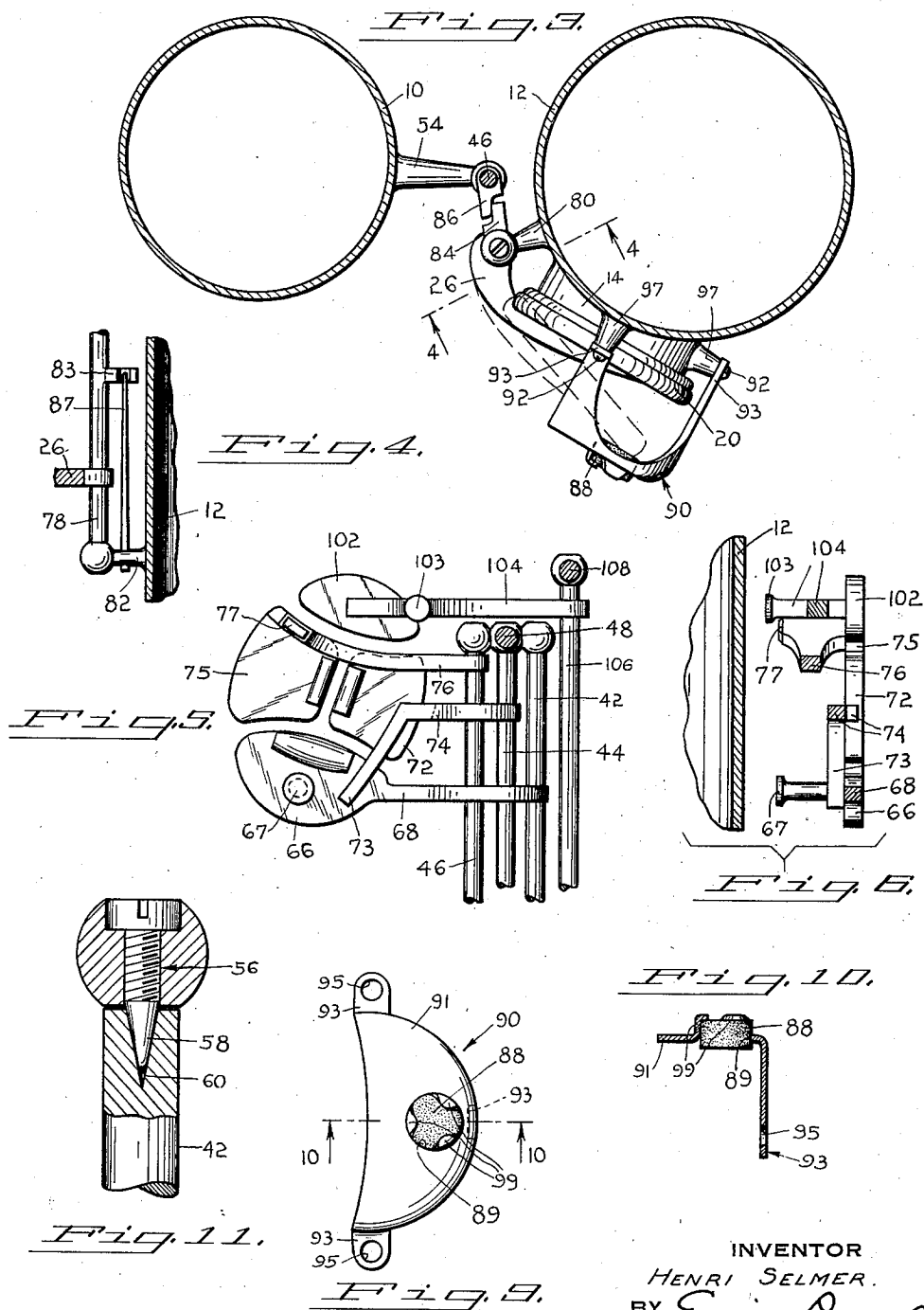
H. SELMER

2,090,011

MUSICAL INSTRUMENT

Filed March 27, 1935

4 Sheets-Sheet 2



INVENTOR
HENRI SELMER.
BY *Edwin Lewis*
ATTORNEY