

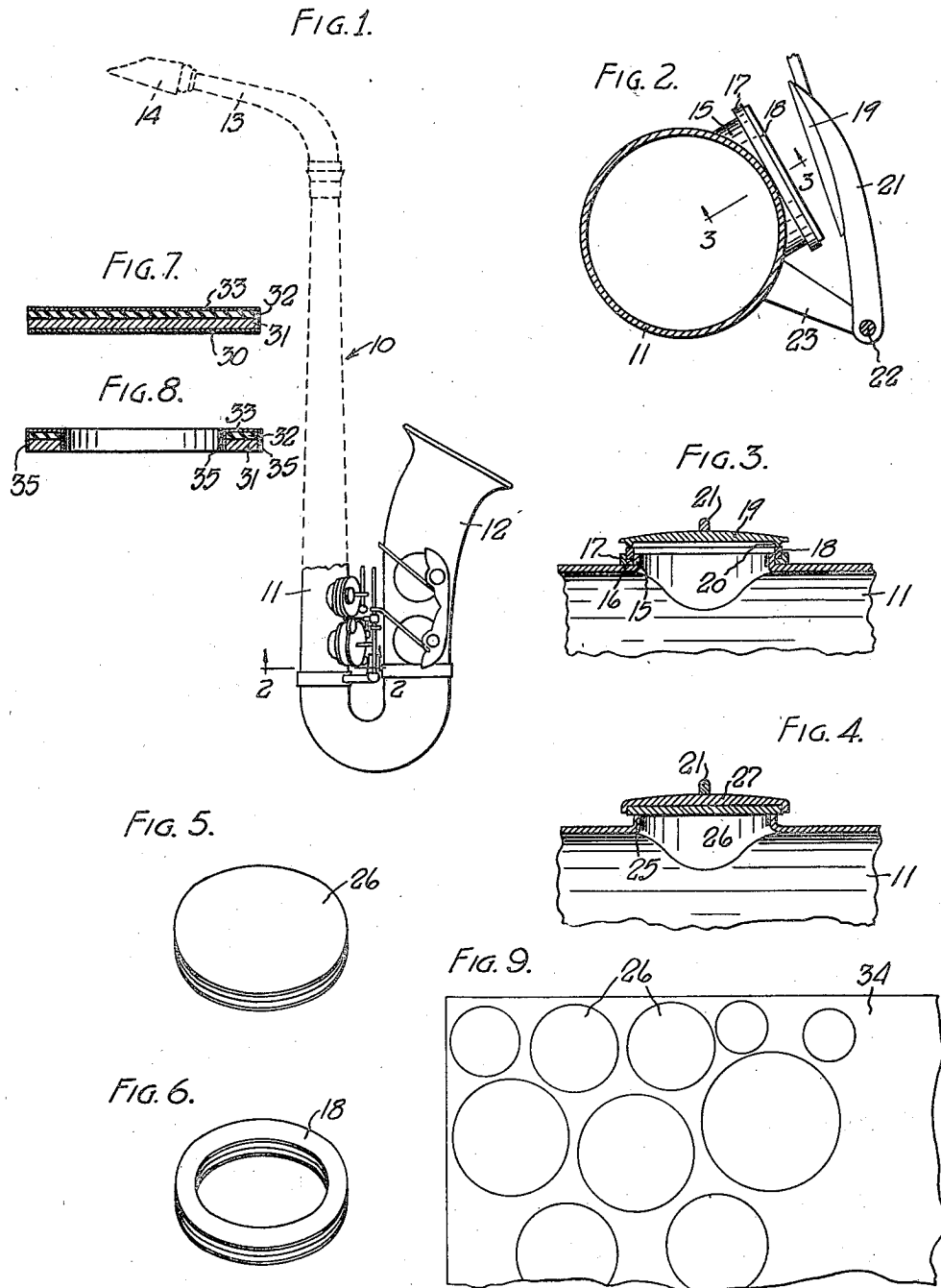
Dec. 2, 1941.

E. SANDER

2,264,591

MUSICAL INSTRUMENT PAD

Filed Feb. 28, 1941



INVENTOR.

EUGENE SANDER

BY

Altich & Knoblock  
Attorneys.