

Aug. 12, 1958

H. LEFEVRE-SELMER  
NECK KEY FOR SAXOPHONES

2,846,917

Filed July 18, 1955

Fig. 1

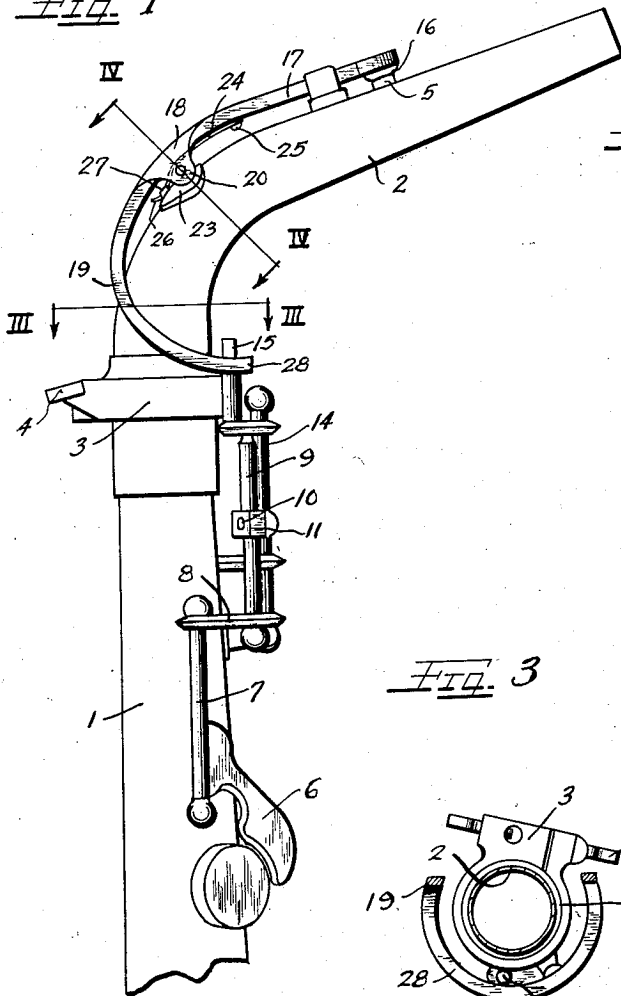


Fig. 2

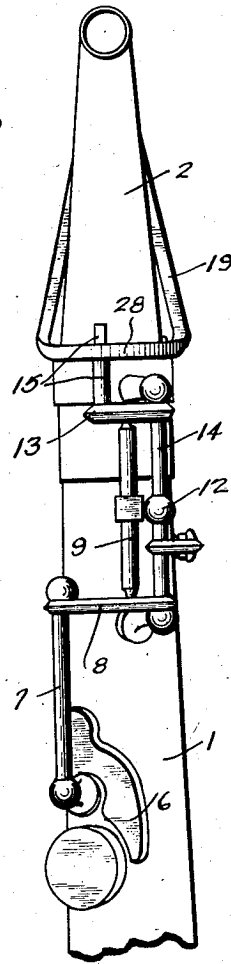


Fig. 3

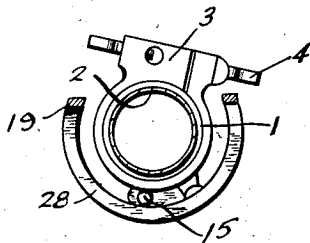
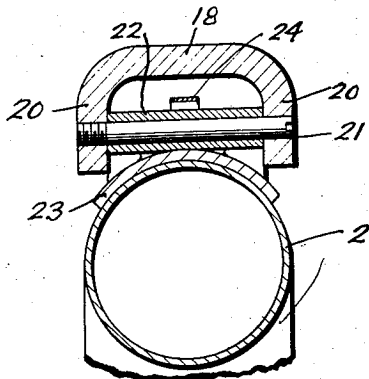


Fig. 4



*Inventor*  
HENRI LEFEVRE-SELMER

By

*Hill, Sherman, Merri, Cross & Simpson Attys*