

Aug. 12, 1958

H. LEFEVRE-SELMER
NECK KEY FOR SAXOPHONES

2,846,917

Filed July 18, 1955

Fig. 1

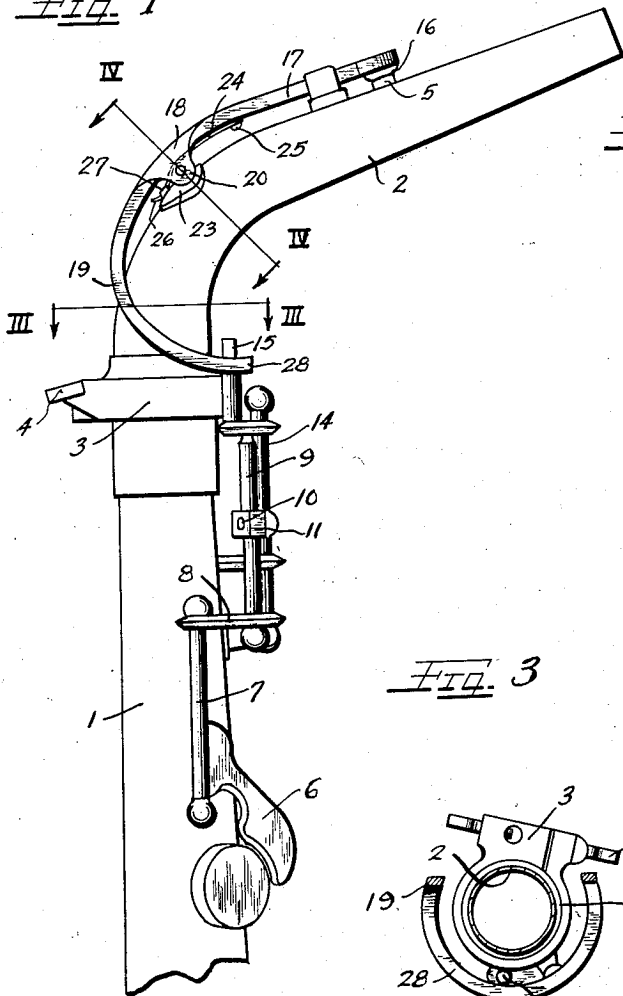


Fig. 2

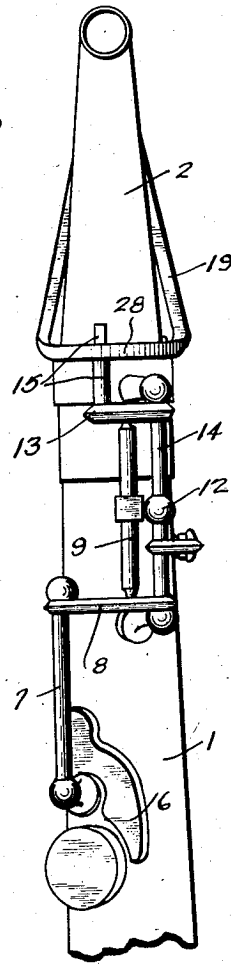


Fig. 3

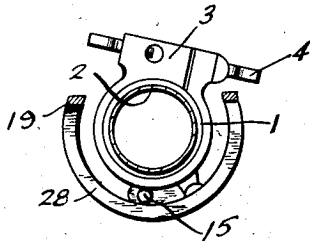
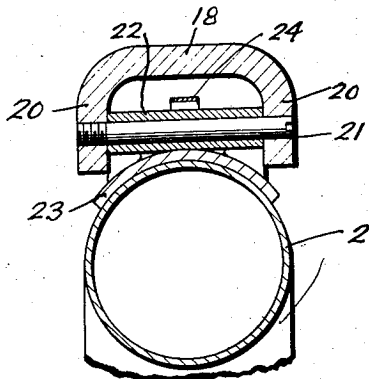


Fig. 4



Inventor
HENRI LEFEVRE-SELMER

By

Hill, Sherman, Merri, Cross & Simpson Attys