

June 14, 1955

H. LEFEVRE-SELMER

2,710,558

LINKAGE FOR B-FLAT, C-SHARP SAXOPHONE KEY CLUSTER

Filed Sept. 5, 1952

2 Sheets-Sheet 2

Fig. 3

Fig. 4

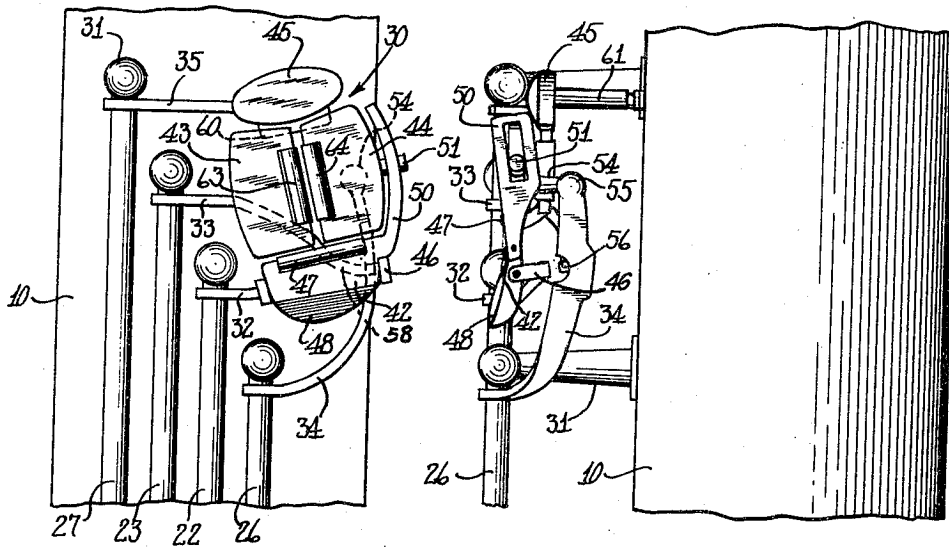
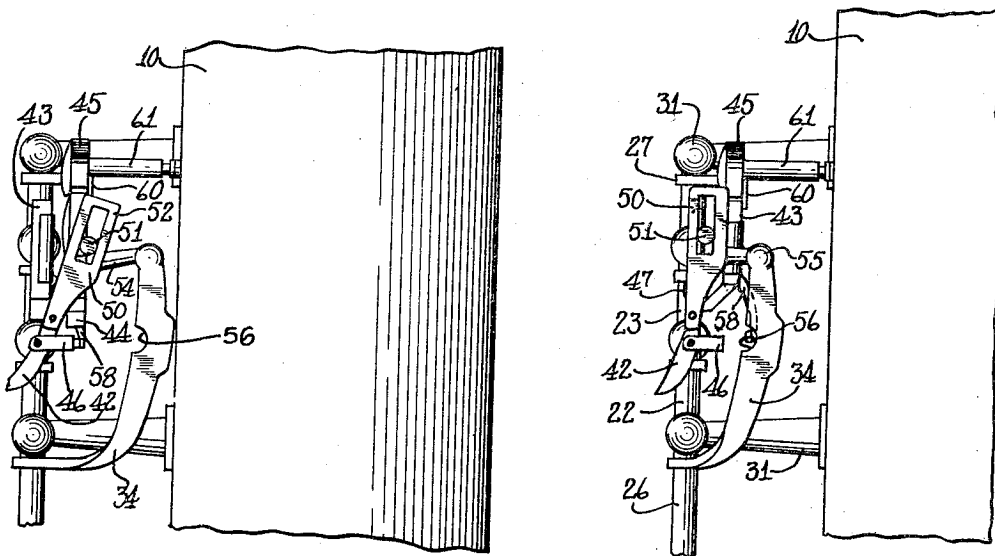


Fig. 5

Fig. 6



Inventor

Henri Lefevre - Selmer

Mill, Sherman, Merwin, Chas. Simpson