

June 5, 1951

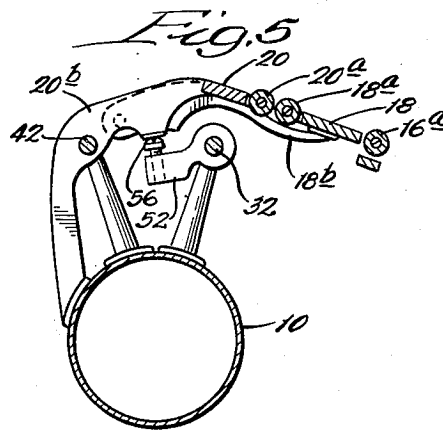
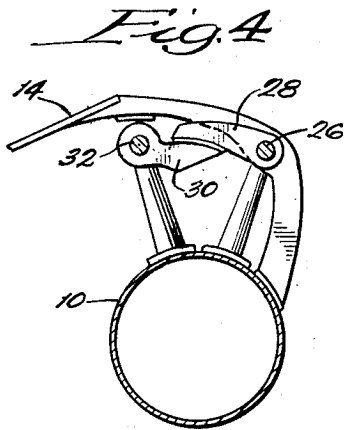
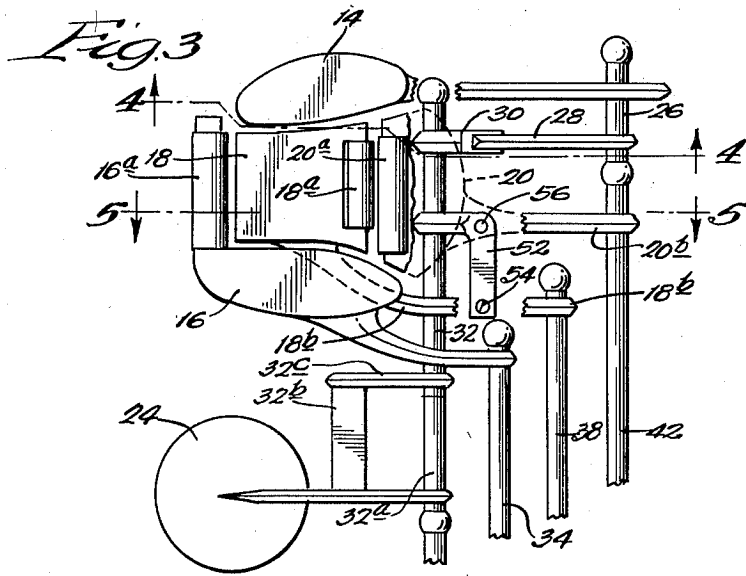
H. W. LONEY

2,555,980

WOODWIND INSTRUMENT

Filed Jan. 21, 1949

2 Sheets-Sheet 2



*Inventor:*  
*Hugh W. Loney,*

*By Duane, Connors, Prother & Spangenberg,*  
*Attorneys.*