

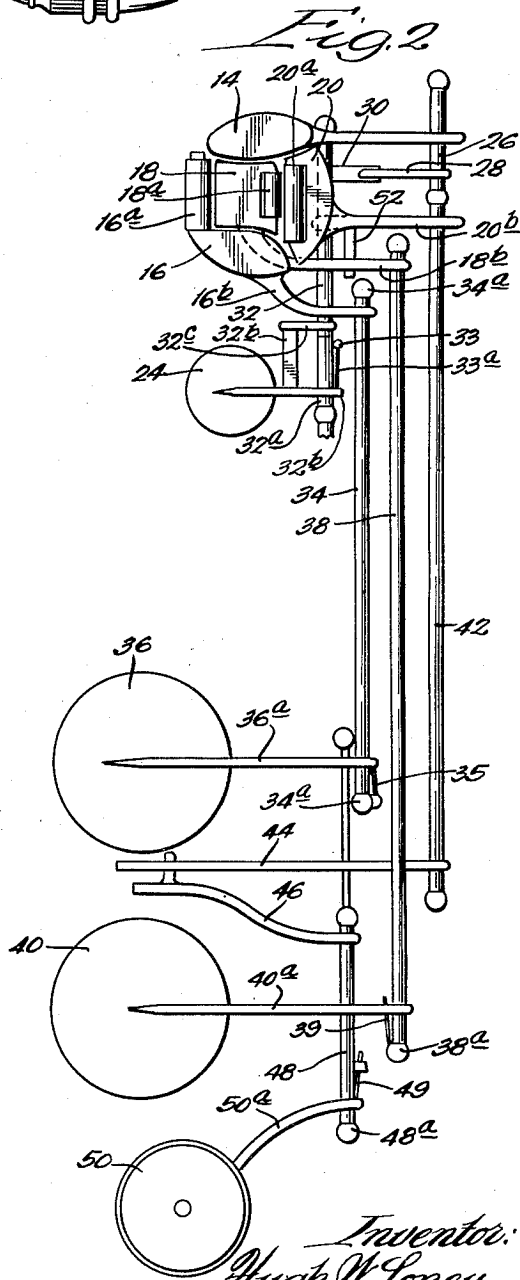
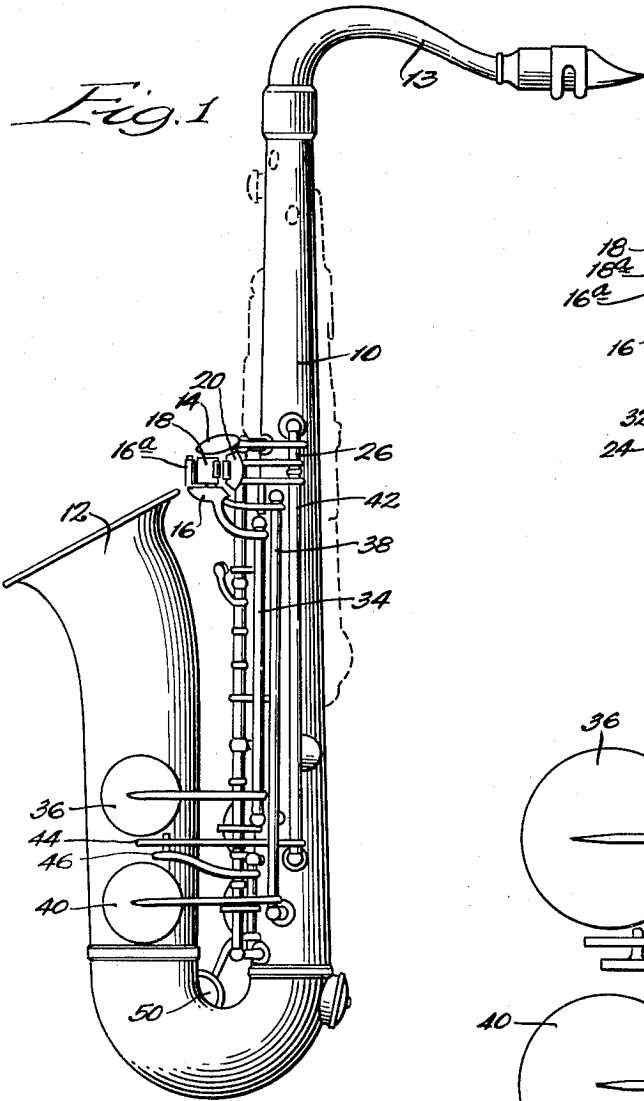
June 5, 1951

H. W. LONEY
WOODWIND INSTRUMENT

2,555,980

Filed Jan. 21, 1949

2 Sheets-Sheet 1



Inventor:
Hugh W. Loney,
By Dawson, Orms, Smith & Spangenberg,
Attorneys.