

Nov. 14, 1939.

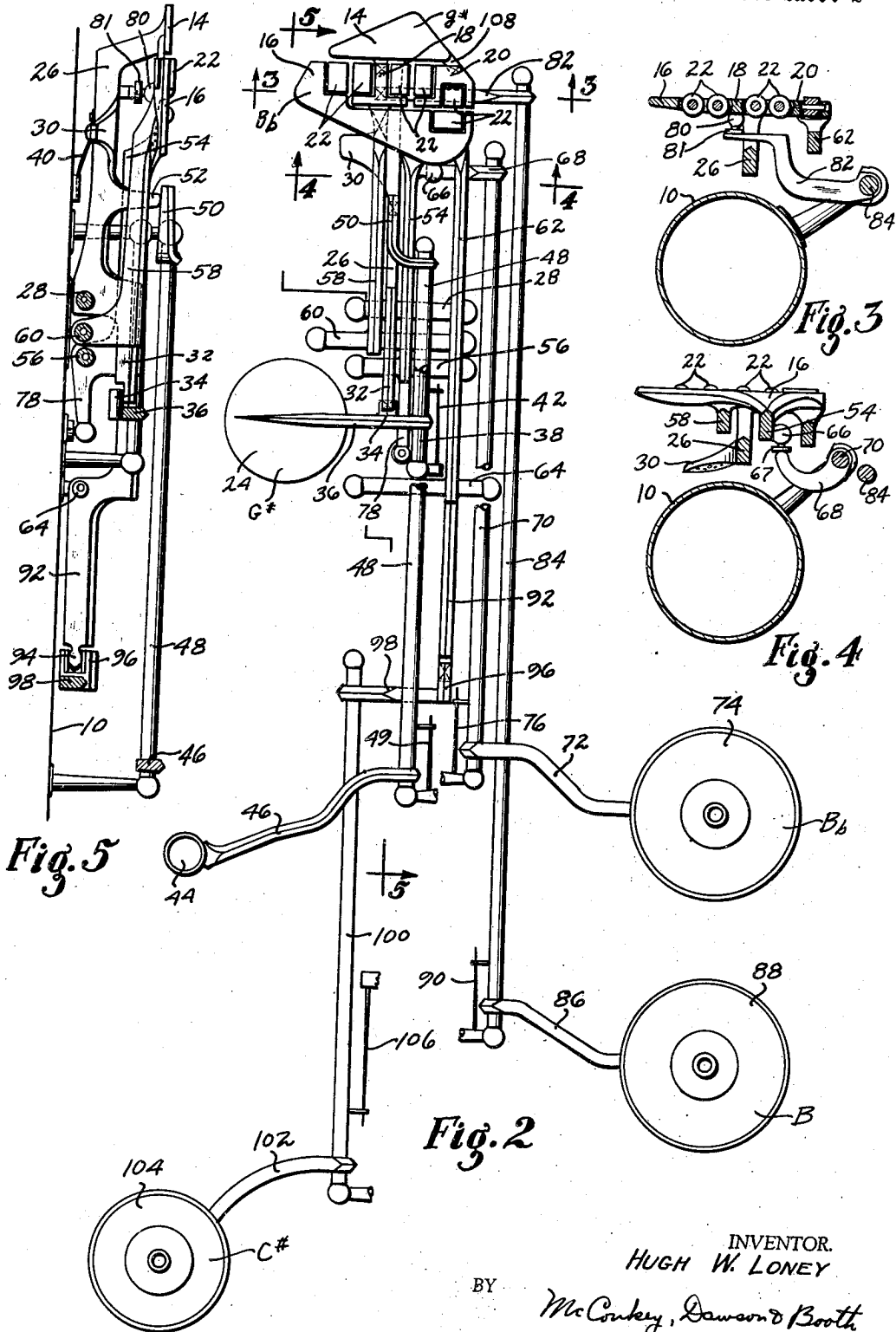
H. W. LONEY

2,180,118

WOODWIND INSTRUMENT

Filed March 28, 1938

2 Sheets-Sheet 2



INVENTOR.
HUGH W. LONEY
BY
McConkey, Dawson & Booth
ATTORNEYS.