

Nov. 5, 1935.

H. W. LONEY
REED MUSICAL INSTRUMENT
Filed March 8, 1935

2,020,261

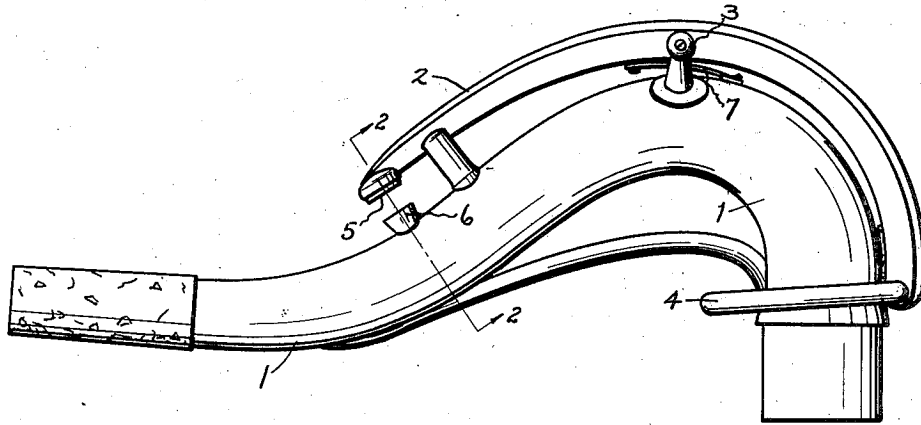


Fig 1

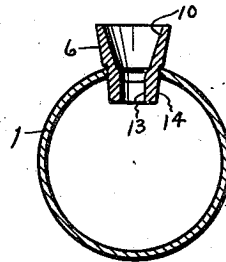
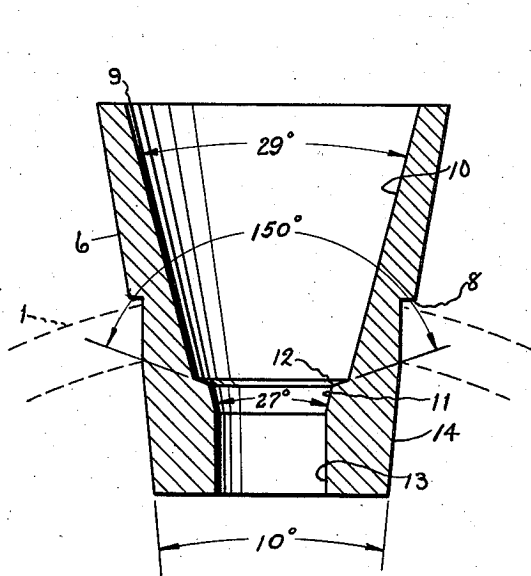


Fig 2

Fig 3

INVENTOR
Hugh W. Loney
BY
Louis C. Vanderlip.
ATTORNEY