

March 26, 1929.

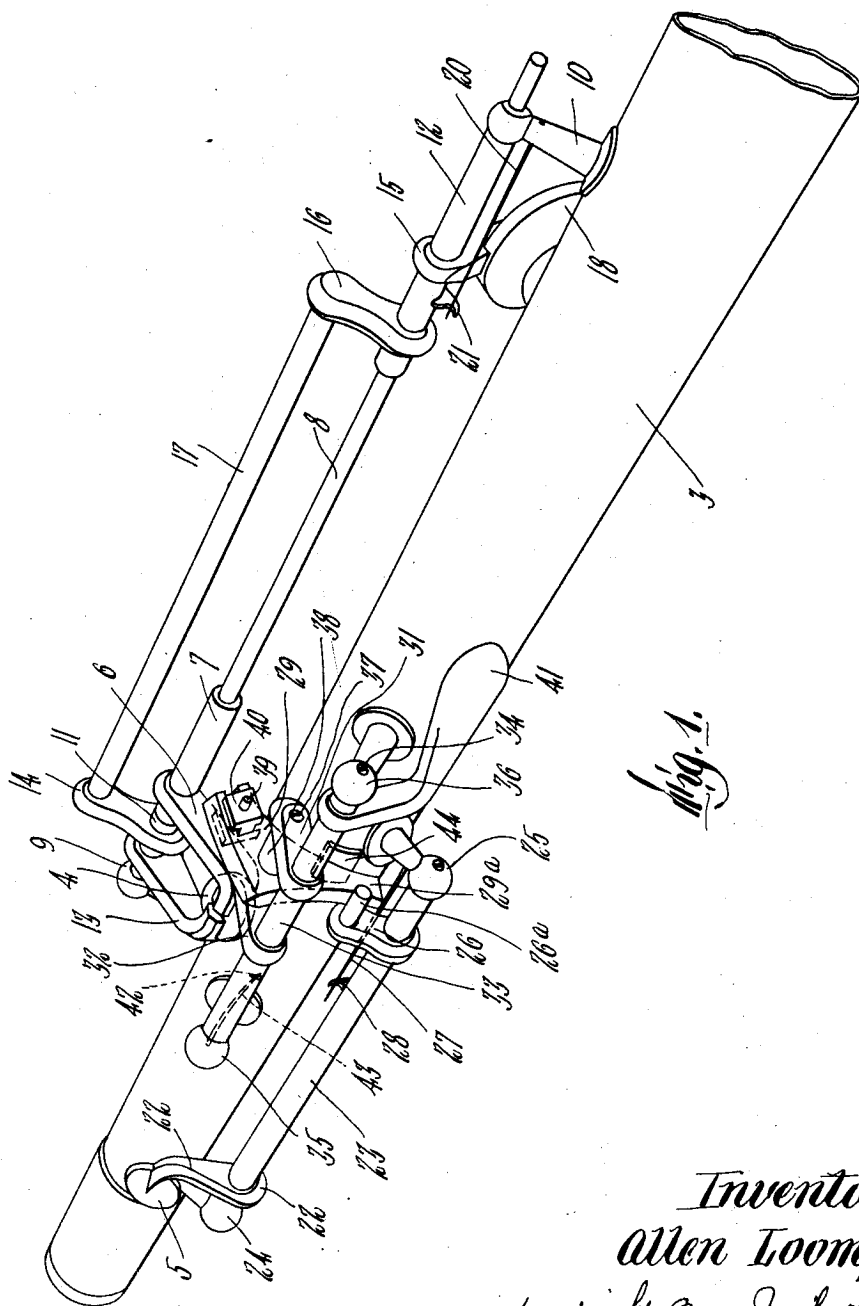
A. LOOMIS

1,706,796

OCTAVE KEY MECHANISM FOR MUSICAL INSTRUMENTS

Filed Jan. 21, 1927

2 Sheets-Sheet 1



Inventor:
Allen Loomis,
by Wright, Mumford & May
attys.