

March 13, 1928.

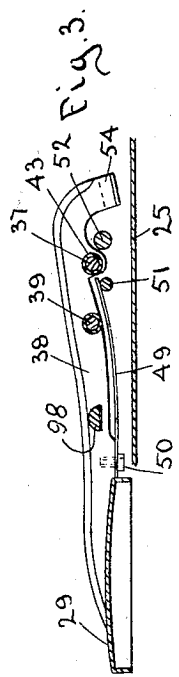
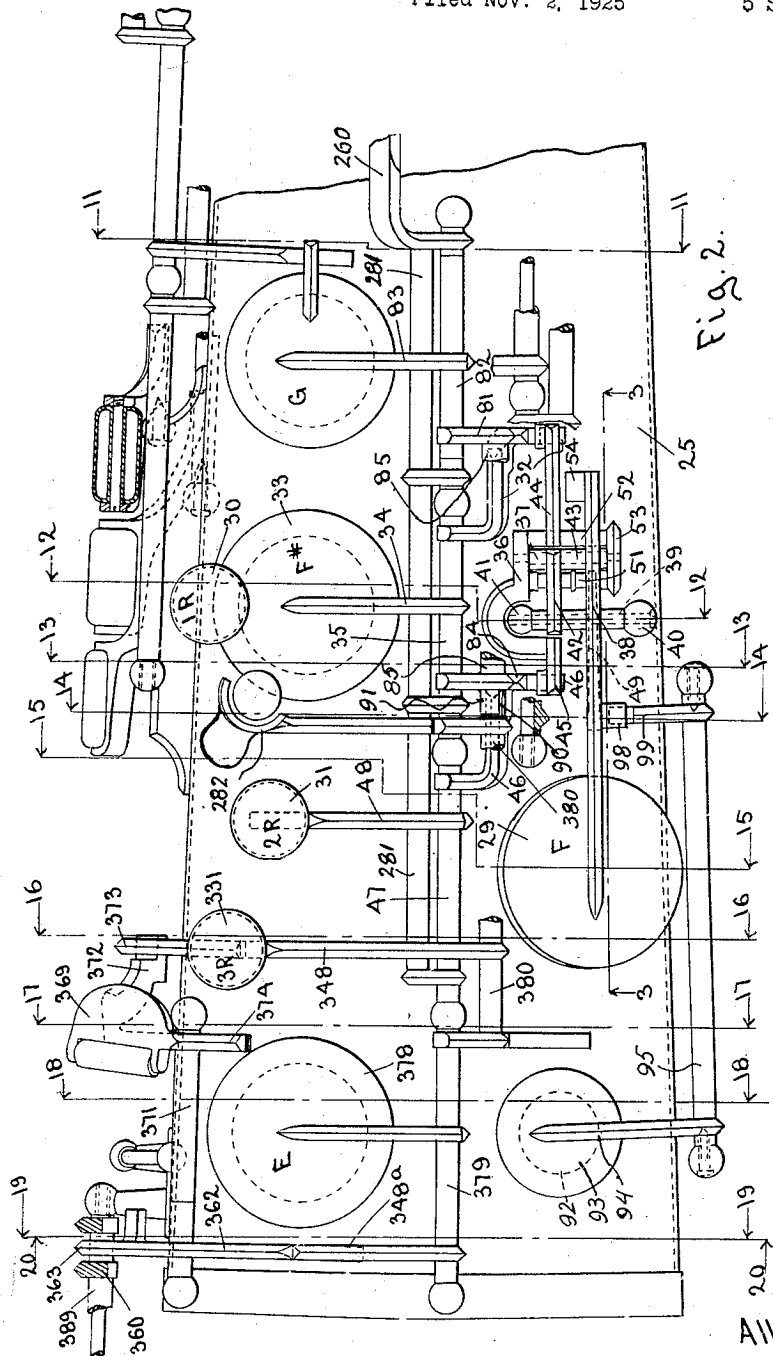
1,662,195

A. LOOMIS

WOOD WIND INSTRUMENT

Filed Nov. 2, 1925

5 Sheets-Sheet 2



INVENTOR
Allen Loomis

by Wright, Brown & Loomis

Attys