

May 25, 1926.

1,586,206

A. LOOMIS

CENTER BEARING FOR KEY MECHANISMS OF WOOD WIND INSTRUMENTS

Filed March 7, 1922

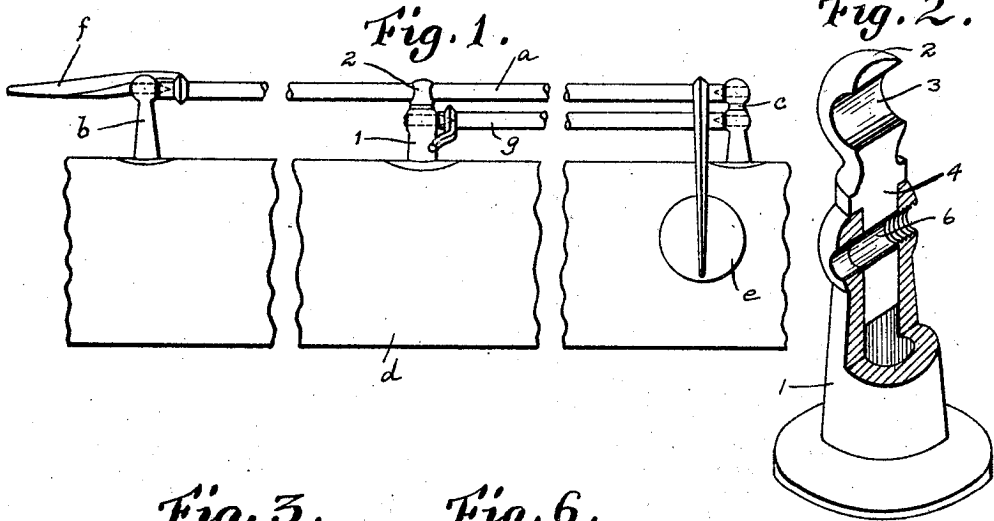


Fig. 3.

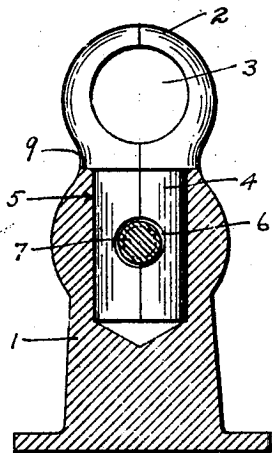


Fig. 6.

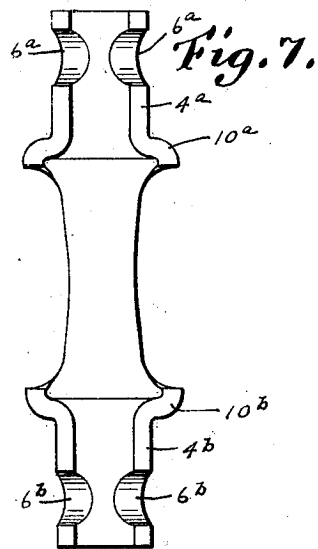
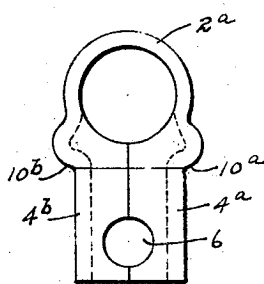


Fig. 4.

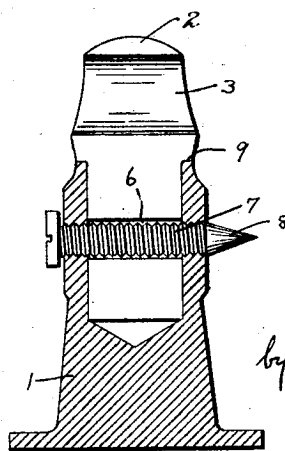
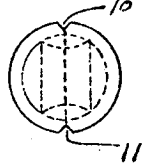


Fig. 5.



Inventor:  
Allen Loomis  
by Wright, Brown, Lundy & Gray  
Attys.