

Dec. 22, 1925.

1,567,003

E. J. GULICK

KEY SHAFT BEARINGS FOR MUSICAL INSTRUMENTS

Filed March 12, 1921

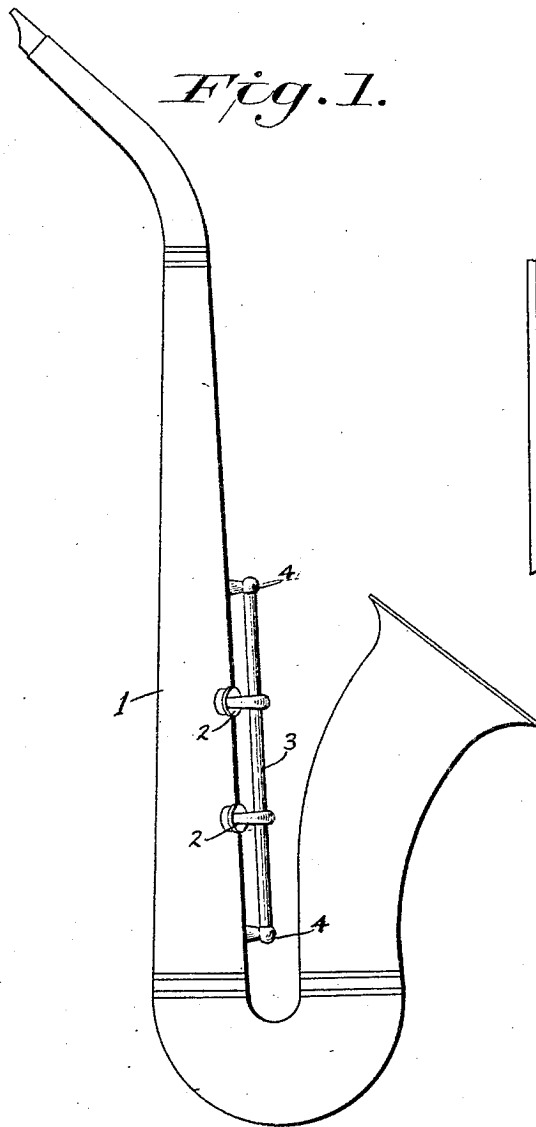


Fig. 3.

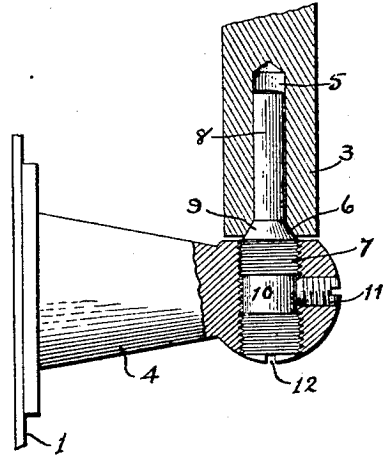


Fig. 4.

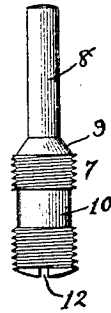
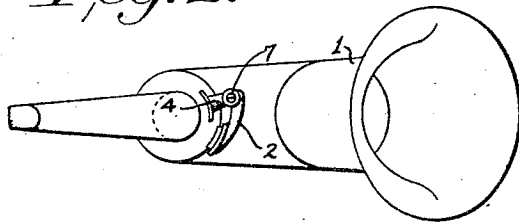


Fig. 2.



Inventor
Edward J. Gulick
By Louis C. Vanderlip,
Attorney