

June 20, 1939.

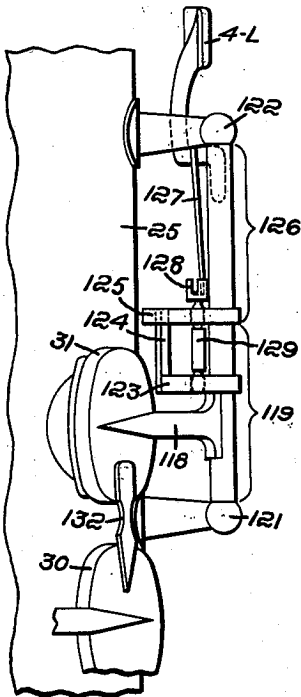
E. V. POWELL

2,163,352

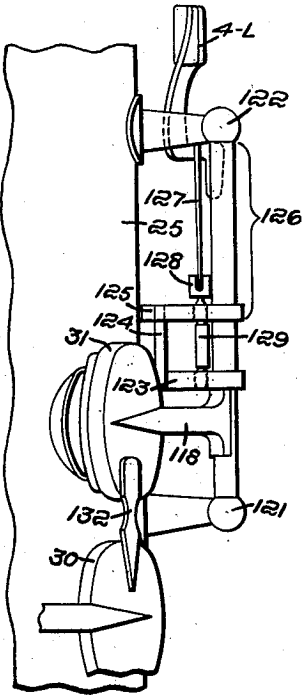
WIND INSTRUMENT OF THE REED TYPE

Original Filed Sept. 29, 1934

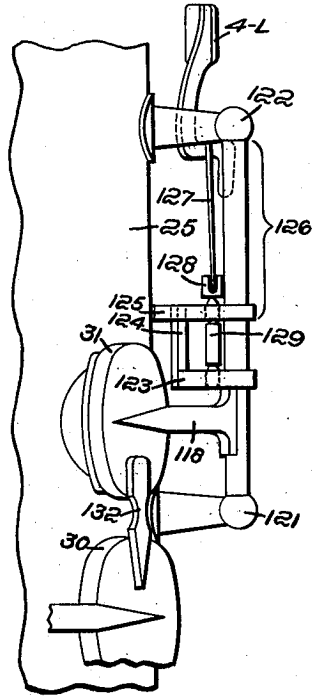
*Fig. 1.*



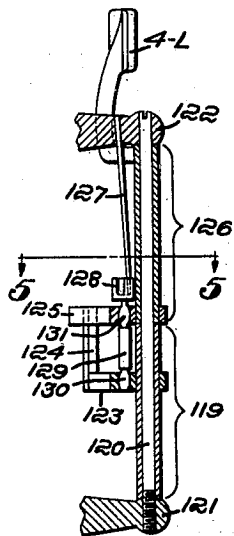
*Fig. 2.*



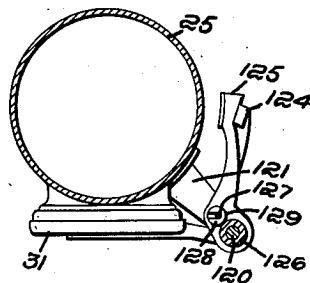
*Fig. 3.*



*Fig. 4.*



*Fig. 5.*



*Inventor:*  
**Edward V. Powell,**  
*by* *Elmer Borth, Townsend, Miller & Heidner*  
**Attys**