

Aug. 18, 1936.

E. V. POWELL

2,051,176

WIND INSTRUMENT OF THE REED TYPE

Filed Sept. 29, 1934

7 Sheets-Sheet 6

Fig. 14.

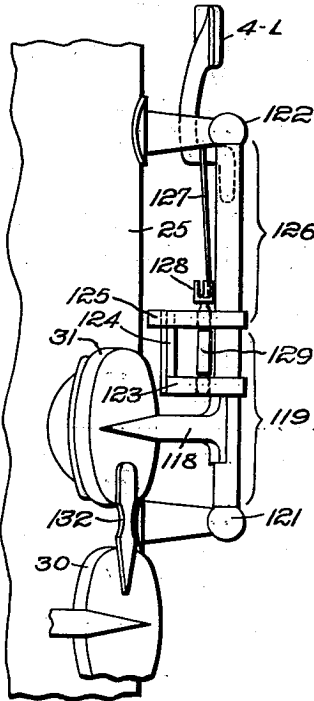


Fig. 15.

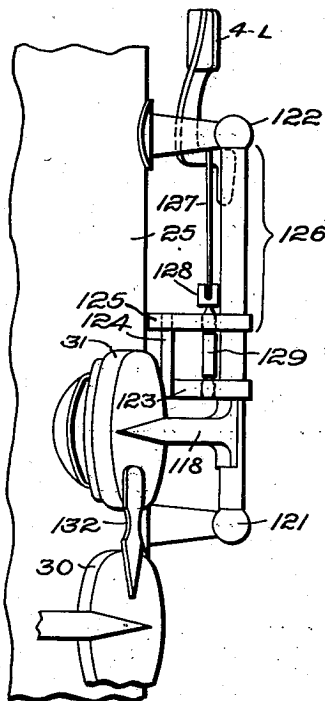


Fig. 16.

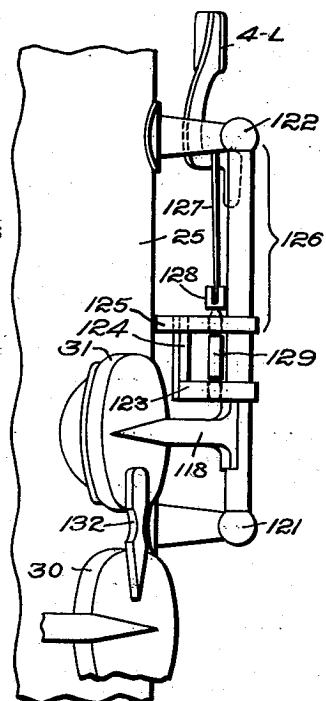


Fig. 17.

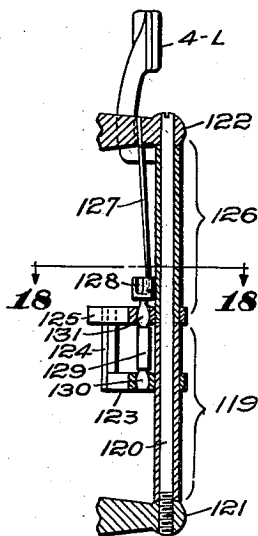
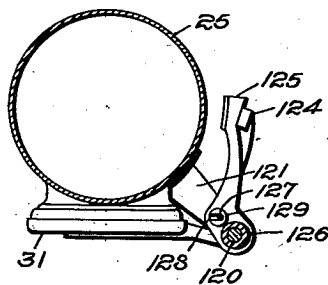


Fig. 18.



Inventor:
Edward V. Powell,
by Emory, Booth, Varney & Townsend,
Attys