

Aug. 18, 1936.

E. V. POWELL

2,051,176

WIND INSTRUMENT OF THE REED TYPE

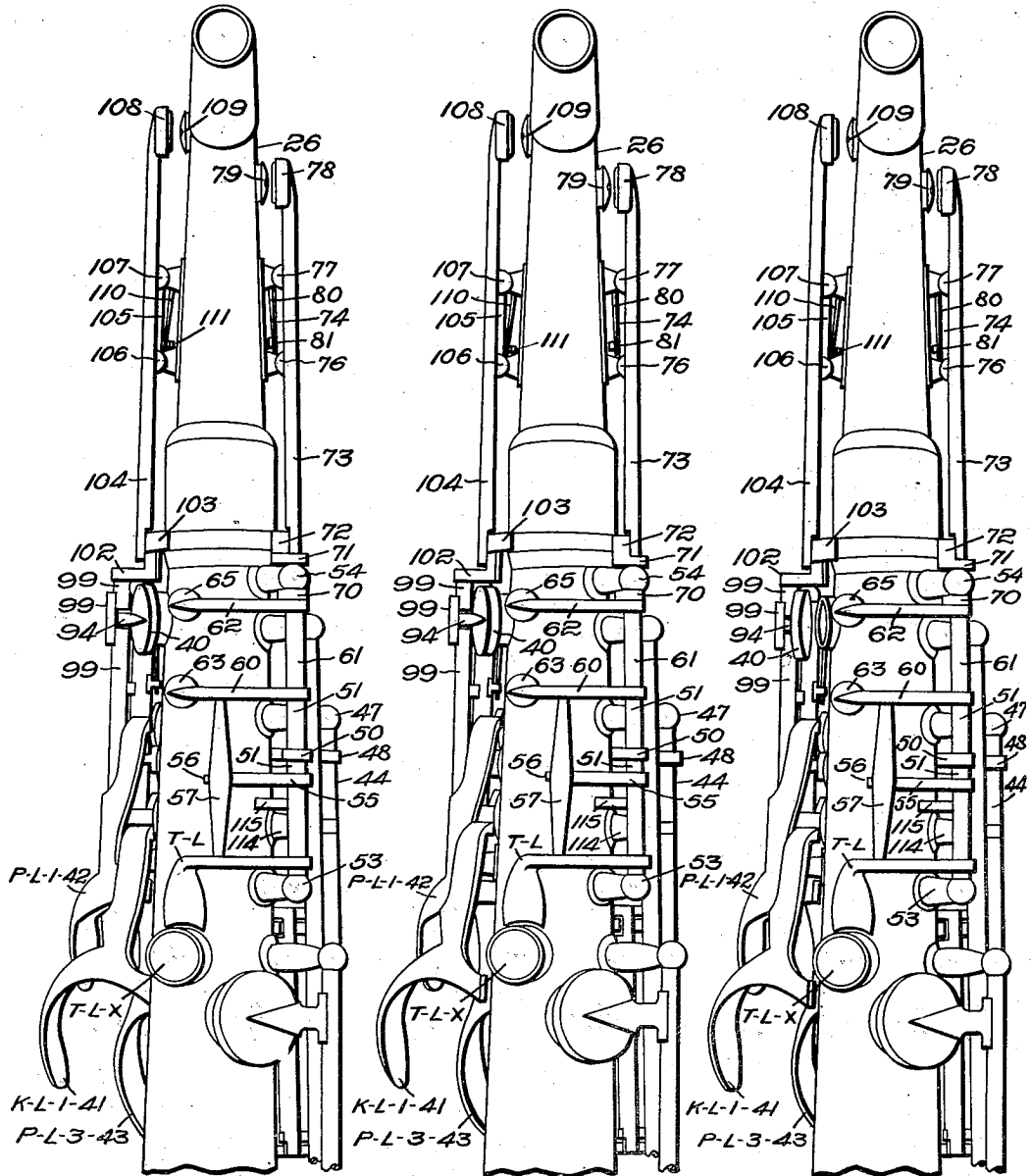
Filed Sept. 29, 1934

7 Sheets-Sheet 3

Fig. 4.

Fig. 5.

Fig. 6.



Inventor:
Edward V. Powell,
209 5th Ave., New York 1, N.Y.
Attys