

Aug. 18, 1936.

E. V. POWELL

2,051,176

WIND INSTRUMENT OF THE REED TYPE

Filed Sept. 29, 1934

7 Sheets-Sheet 2

Fig. 2.

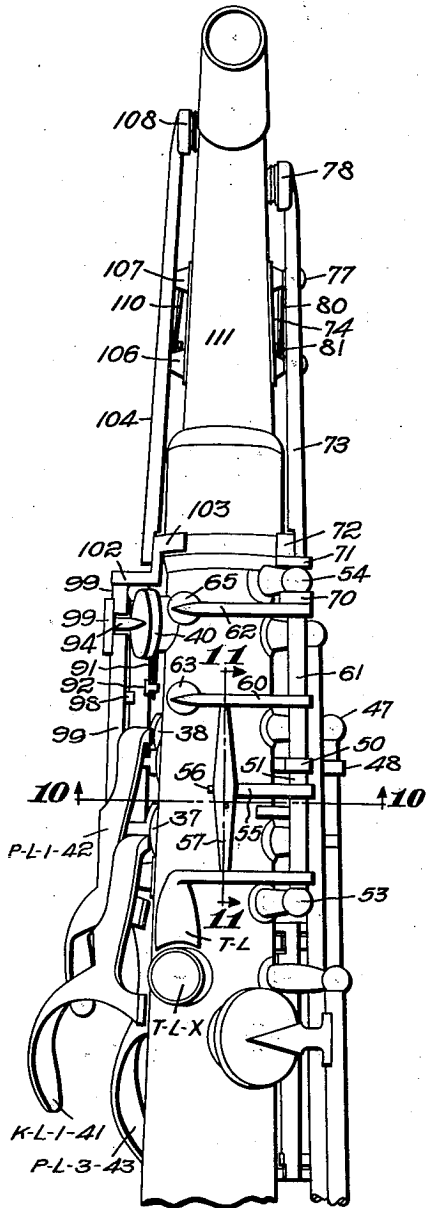
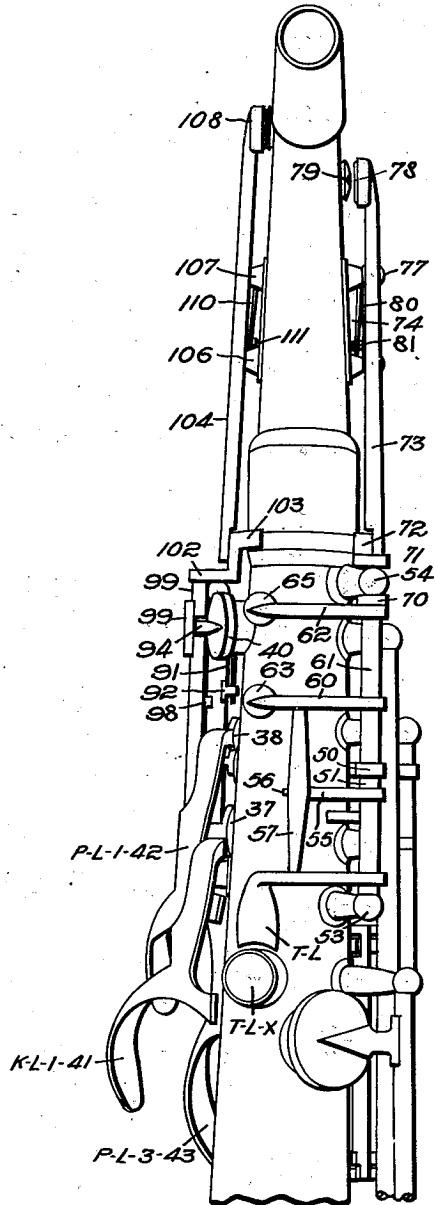


Fig. 3.



Inventor:
Edward V. Powell,
by Emory, Smith, Farney & Townsend.
Attys