

June 14, 1955

H. LEFEVRE-SELMER

2,710,558

LINKAGE FOR B-FLAT, C-SHARP SAXOPHONE KEY CLUSTER

Filed Sept. 5, 1952

2 Sheets-Sheet 1

FIG. 1

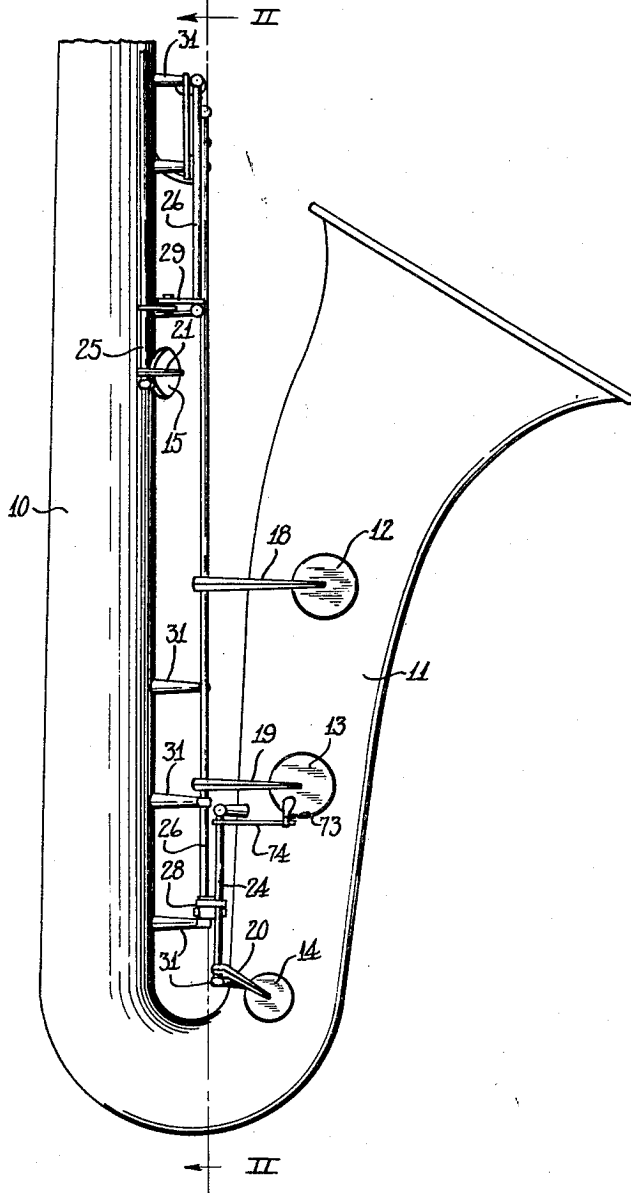
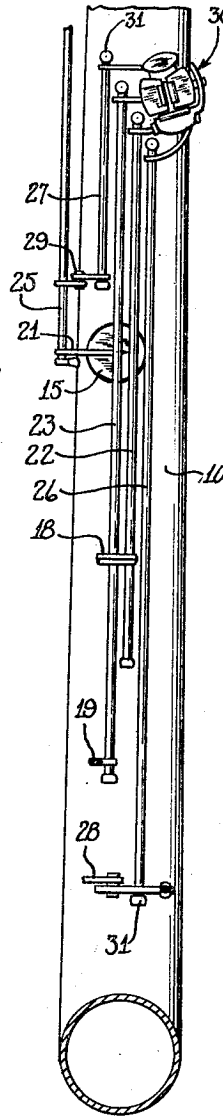


FIG. 2



Inventor

Henri Lefevre-Selmer

Hill, Sherman, Merrill, Gaus, *[Signature]*