

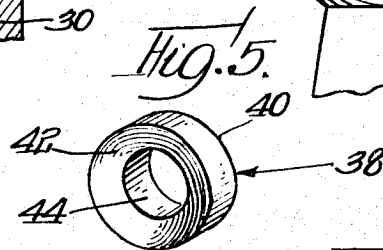
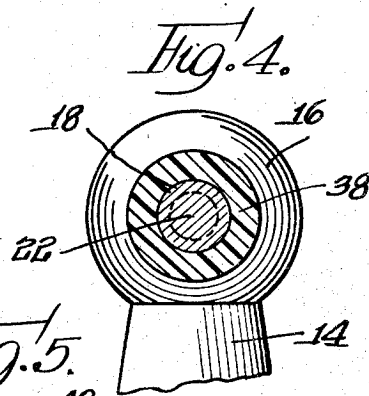
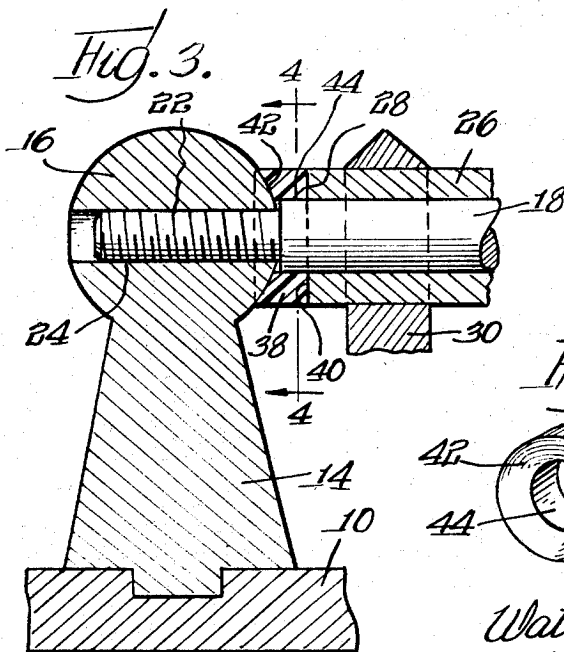
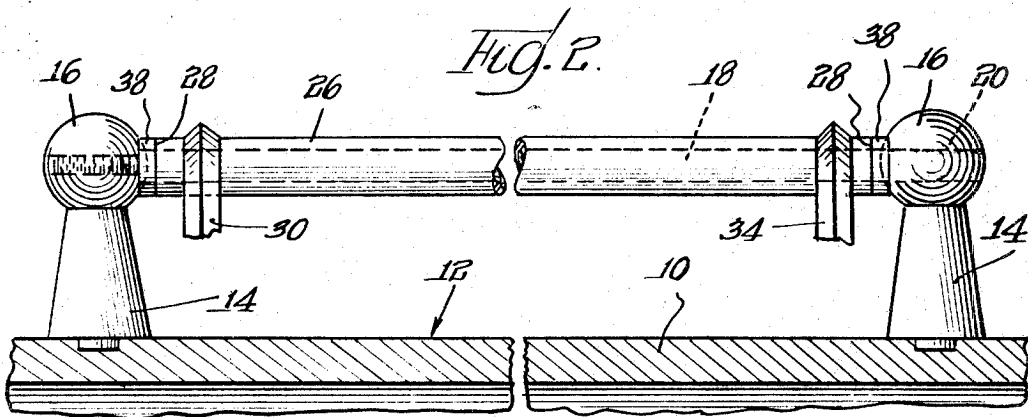
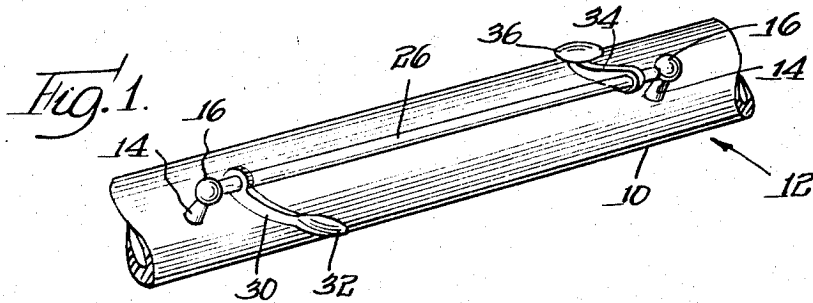
Jan. 14, 1969

W. D. WHITESIDE ET AL

3,421,398

MUSICAL INSTRUMENT BEARING INSERT

Filed Oct. 1, 1965



Inventors.
Walter D. Whiteside
Robert H. Hampel
By: Olson, Trencher, Walters & Bushnell *attys.*