

Feb. 14, 1961

L. LEBLANC

2,971,423

BRACE FOR MUSICAL INSTRUMENT

Filed June 24, 1958

Fig. 1.

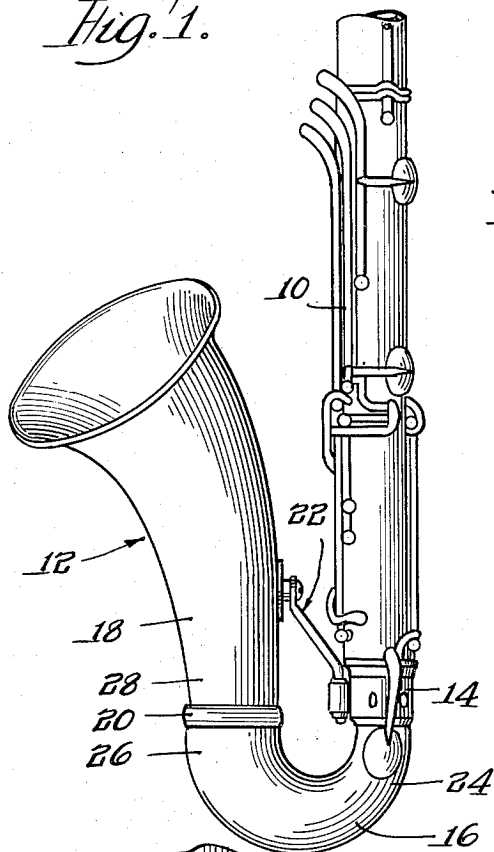


Fig. 2.

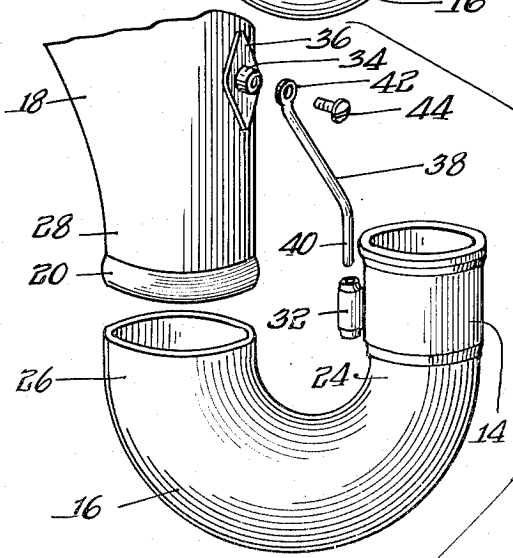
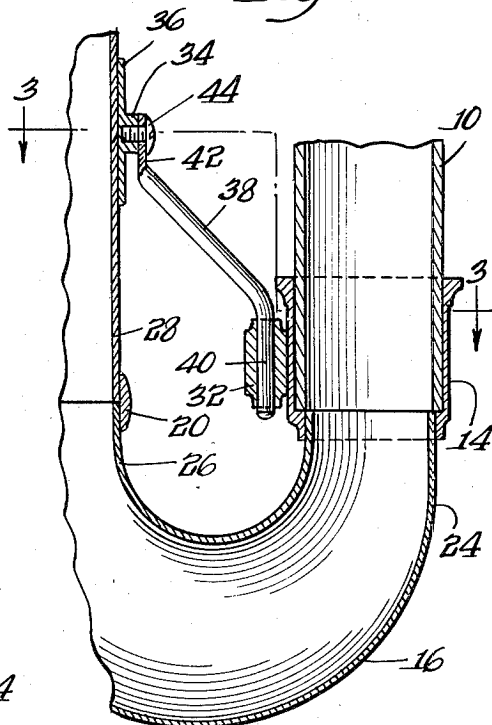


Fig. 3.

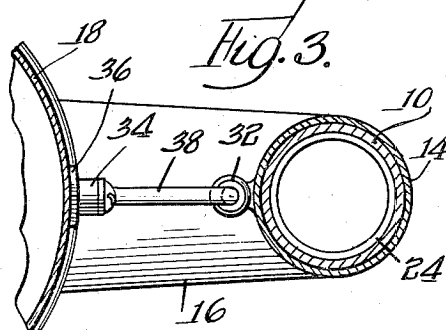


Fig. 4.

INVENTOR.
Leon Leblanc
BY: *Olson & Trepew*
attys.