

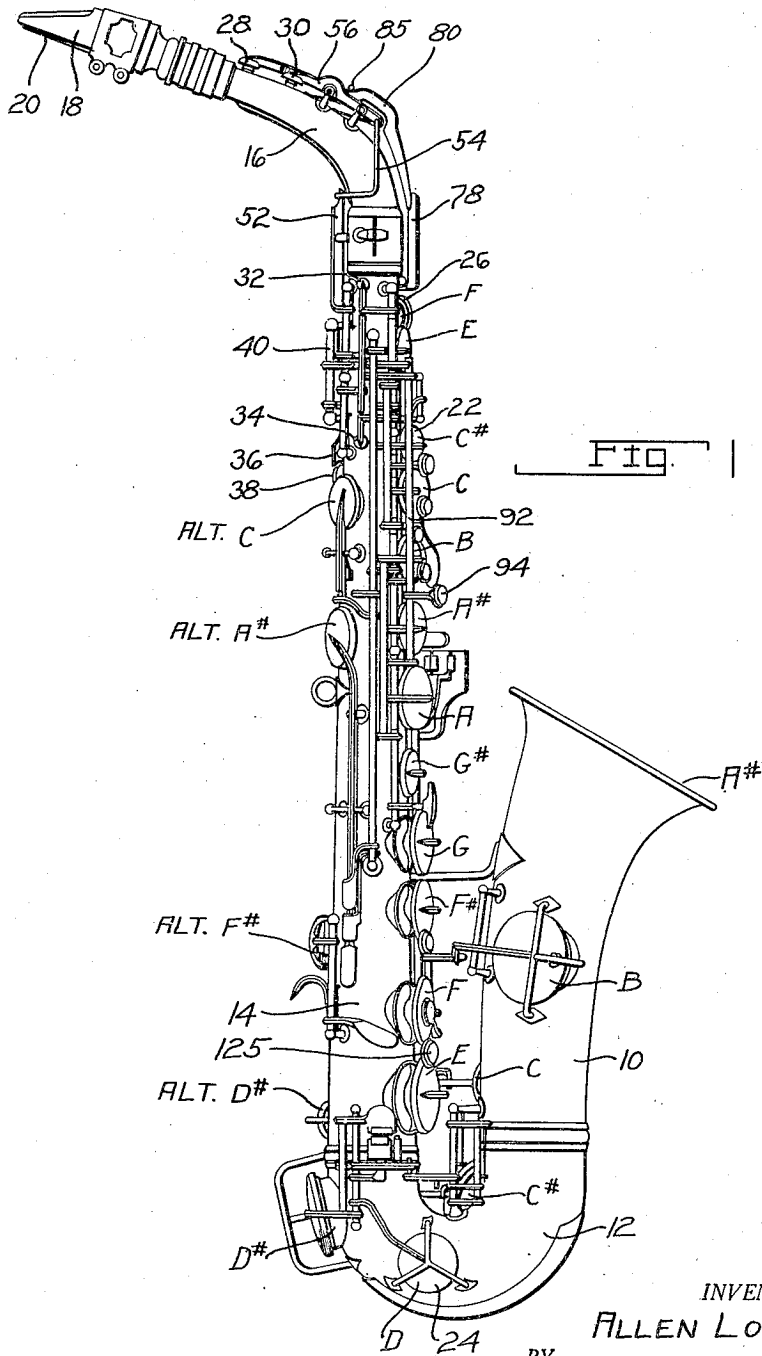
Oct. 18, 1938.

A. LOOMIS

2,133,625

WOOD-WIND INSTRUMENT

Original Filed Dec. 21, 1936 3 Sheets-Sheet 1



INVENTOR.
ALLEN LOOMIS
BY *McConkey & Booth*
ATTORNEYS.