

Sept. 22, 1936.

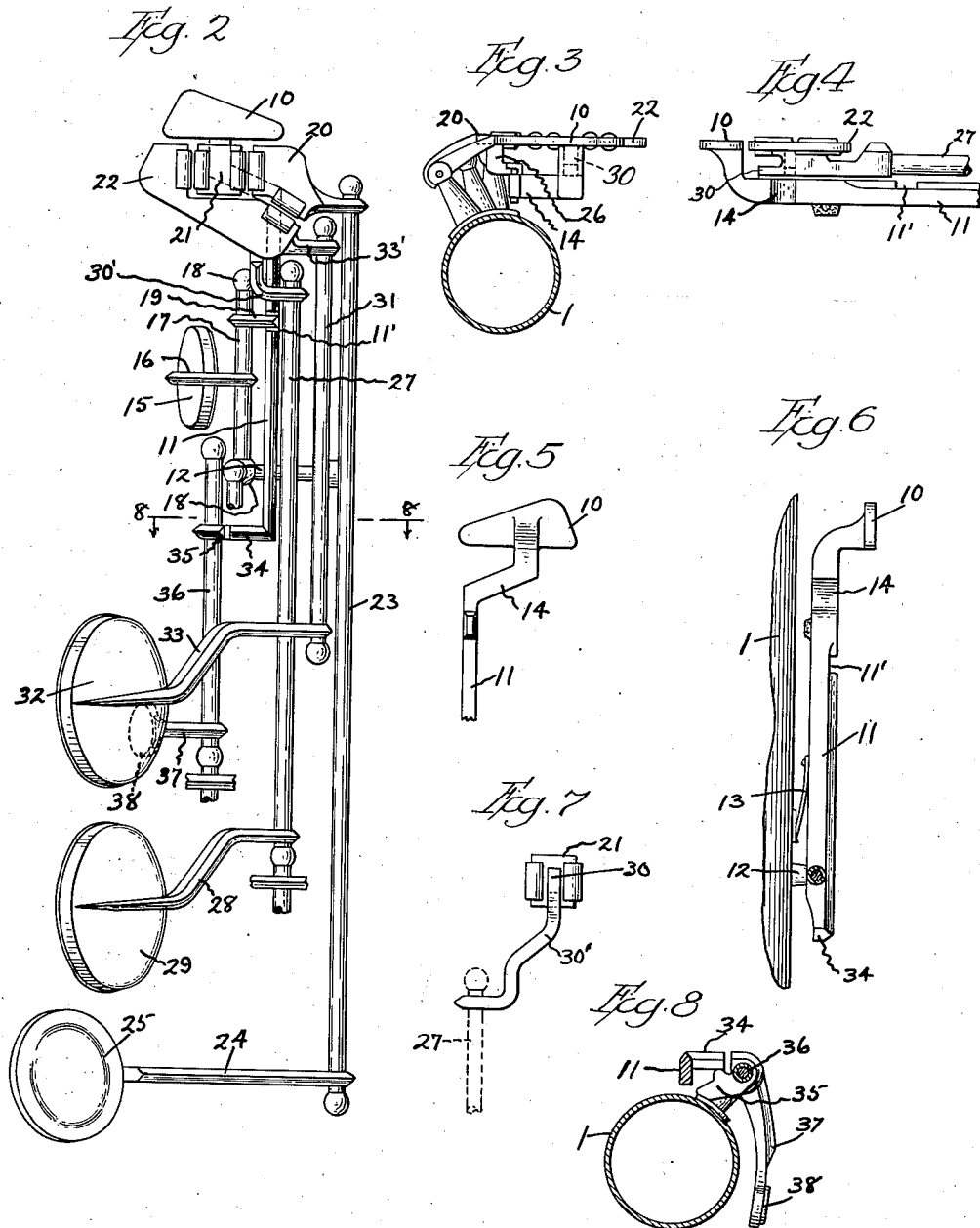
A. LOOMIS

2,055,382

SAXOPHONE

Original Filed March 23, 1933

2 Sheets-Sheet 2



Inventor
Allen Loomis
By Louis C. Vanderlip

Atty.