

Nov. 28, 1933.

A. LOOMIS

1,937,025

THUMB-HOOK FOR MUSICAL INSTRUMENTS

Original Filed March 15, 1930

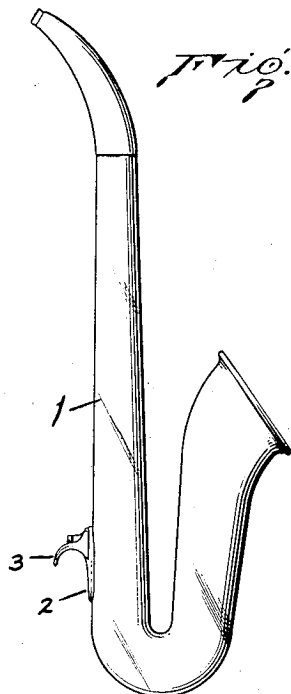


Fig. 1.

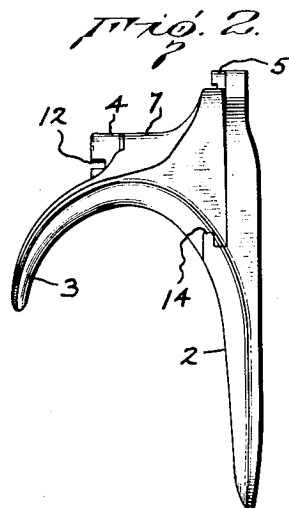


Fig. 2.

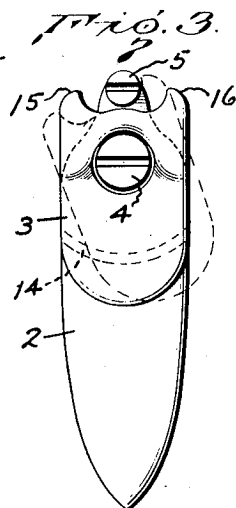


Fig. 3.

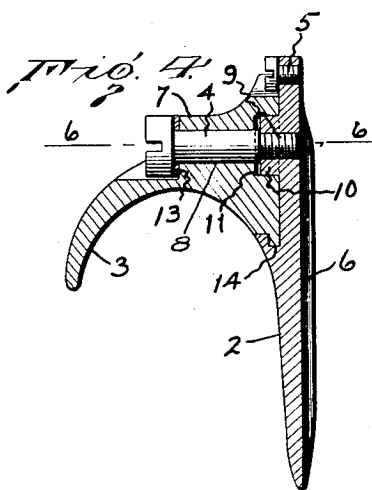


Fig. 4.

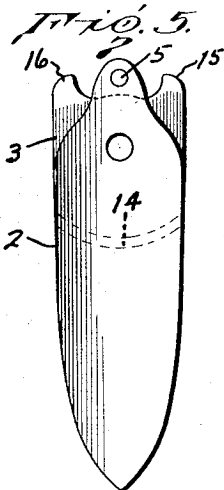


Fig. 5.

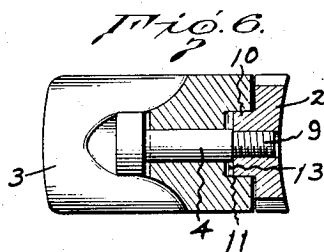


Fig. 6.

Inventor

Allen Loomis

By Louis C. Vanderlip.

Attorney