

Feb. 8, 1927.

1,616,662

A. LOOMIS

OCTAVE KEY MECHANISM

Filed Oct. 29, 1925

2 Sheets-Sheet 1

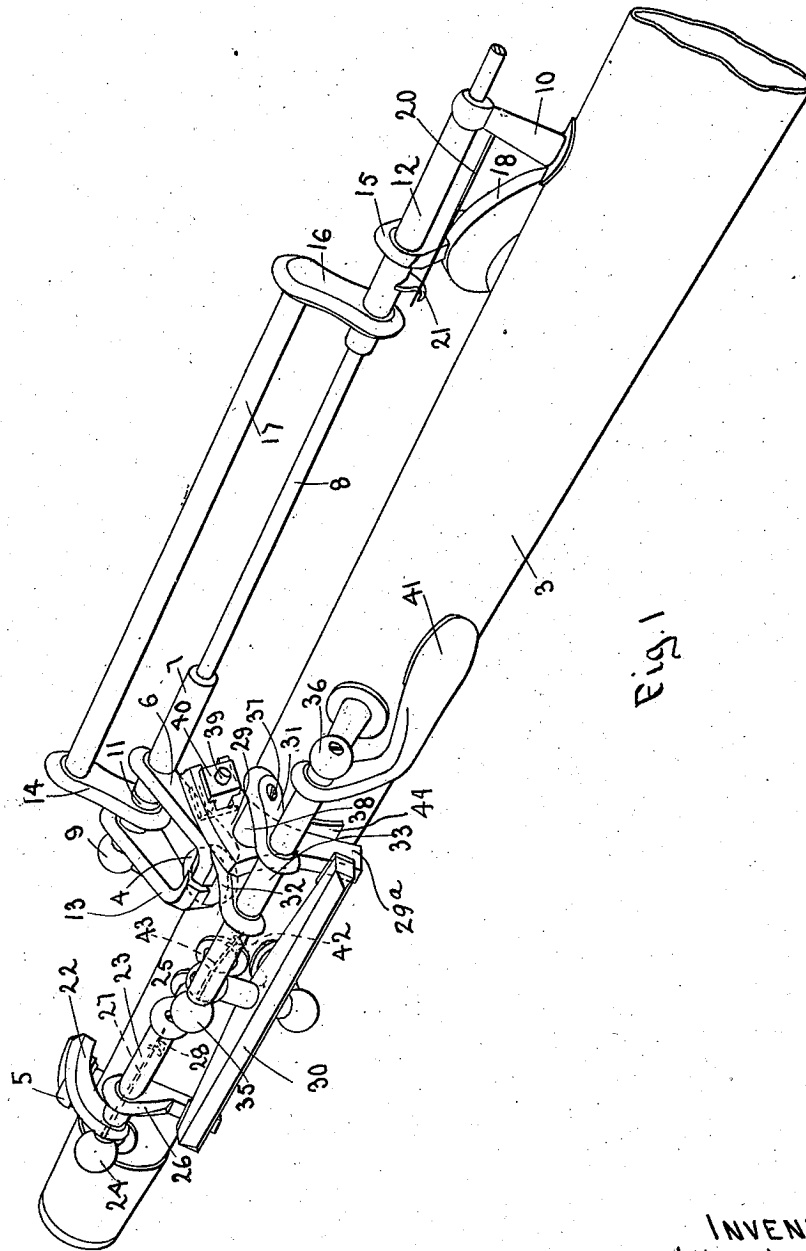


Fig. 1

INVENTOR
Allen Loomis

by *Wright, Brown, Quincy & Gray*
Att'ys