

Dec. 22, 1925.

1,567,005

E. J. GULICK

KNOB GAUGING MACHINE FOR MUSICAL INSTRUMENTS

Original Filed Nov. 6, 1922 2 Sheets-Sheet 1

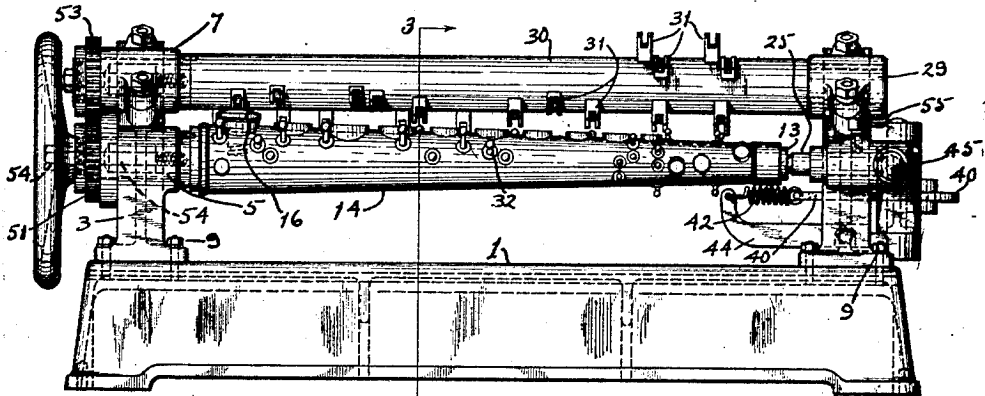


Fig 1

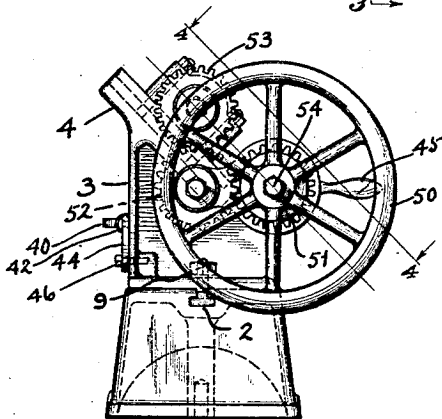


Fig 2

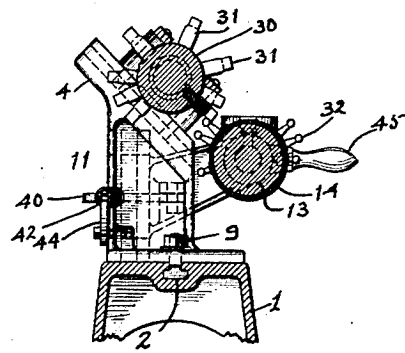


Fig 3

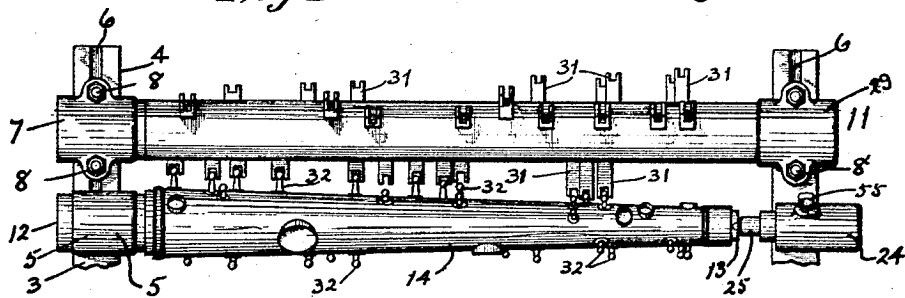


Fig 4

Witness:
C. F. Towsley.

Inventor
Edward J. Gulick
By
Louis C. Vanderlip,
Attorney